

# Grandes Flammes Millenium 975.8 GAS

## DESIGN

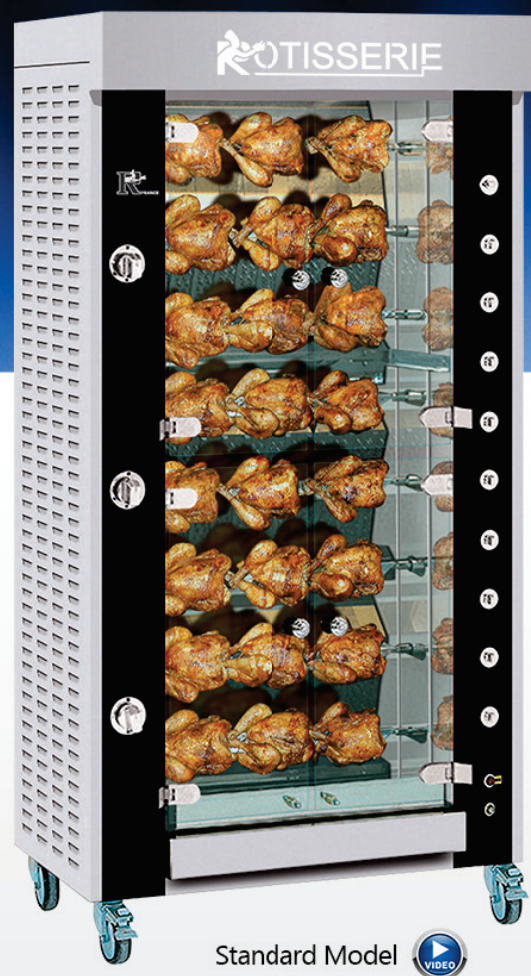
- High-performance, elegant, modern rotisserie with interior lighting to accent the beauty of your roasting meats & vegetables
- Porcelain enamel finish in black and chrome
- Stylish metallic knobs and switches in nickelled Chrome or brass
- Option : chic illuminated "RÔTISSERIE" sign (removable)

## CULINARY ADVANTAGES

- Rapid grilling while still retaining traditional rotisserie quality
- 8 adjustable spits, each with its own motor and 3 gas burners
- State-of-the-art burners manufactured by ROTISOL
- Wide variety of cooking accessories (See accessory list)
- Ideal for roasting turkeys, ducks, suckling pigs, and other products ( whole salmon, pork ribs, sausages etc...)

## SAFETY

- K.GLASS glass doors reduce heat loss, accelerating cooking and preventing burns.
- 4 doors to facilitate access and reduce heat loss (energy saver)
- Heat-proof, ergonomic door handles
- Doorstops control opening & closing and prevent breakage.
- Gas tubes & electric conduits are separated to prevent risk of explosion.



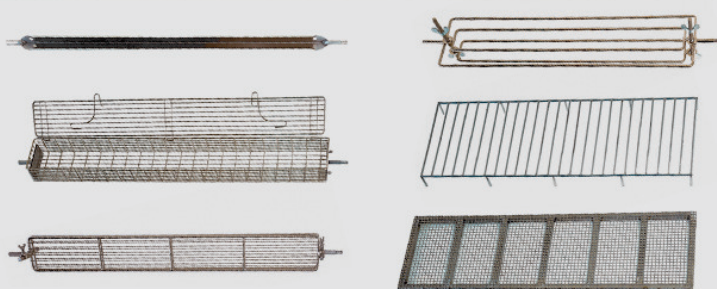
Standard Model



## CLEANING

- Option : removable stainless steel plates between each row of burners for easy cleaning
- Removable inside panels provide double protection to motors and gas components.
- Drip pan with a drain collects grease drippings for perfect hygiene and accident safety.
- Lighted sign extends out in the front to avoid grease accumulation.

## ACCESSORIES



## Vertical spit system



Tel : 06.7677.7143  
c.gruel@rotisol.com

Rotisol S.A.S - Zone industrielle La Trentaine, Avenue Gustave Eiffel, 77507 Chelles Cedex, FRANCE  
commercial@rotisol.com - sam@rotisol.net - Tel : + 33 1 64 21 80 00  
www.rotisol.com

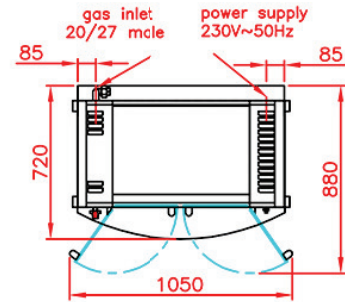


# Grandes Flammes Millenium

## 975.8 GAS

### Top view

Rotisserie with roof (optional)  
and base on casters (optional)

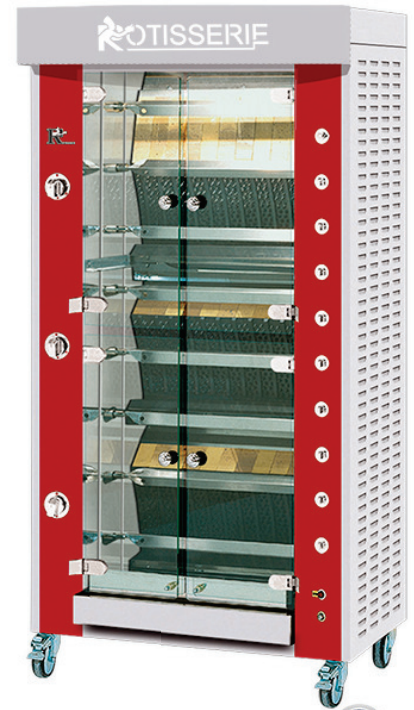
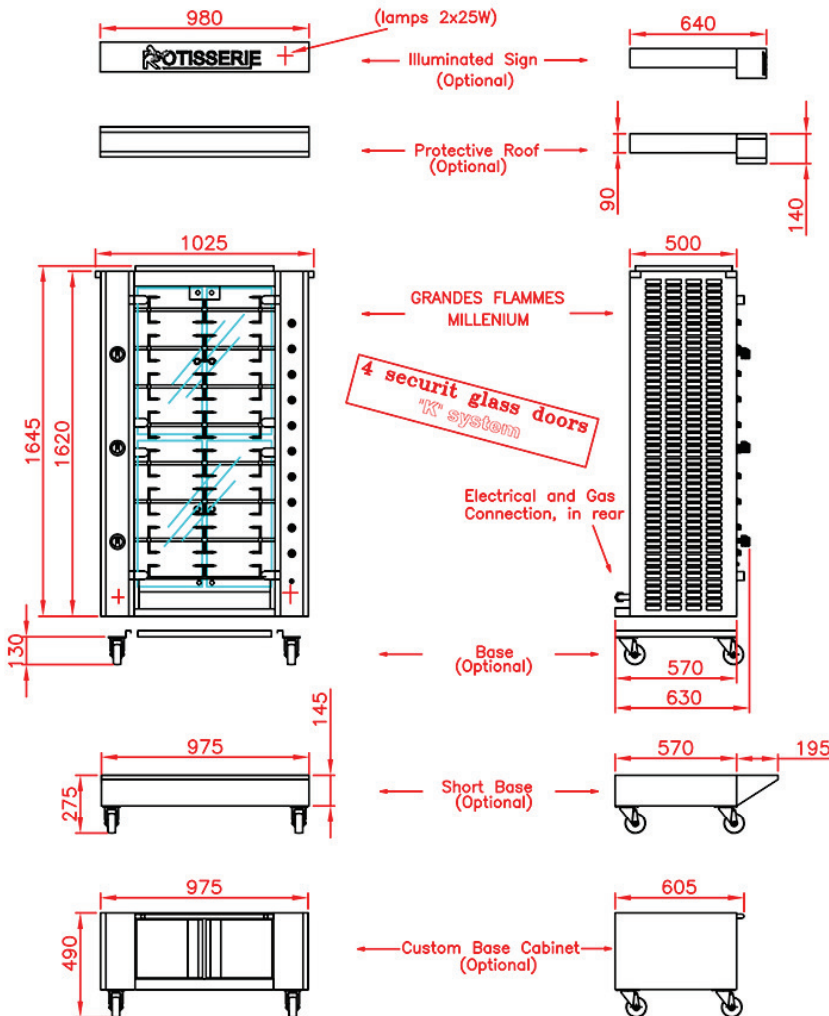


### Front view

Rotisserie with roof (optional)  
and base on casters ( optional)

### Side view

Rotisserie with roff (optional)  
and base on casters (optional)



### Standard Model



Body stainless steel and enamel color front ( options : COUL2 )

Please see [GF MILLENIUM Optional finishes and colours](#)

### STANDARD FIXTURES

- LUXE FINISH : Black enamel with chrome or brass trims
- STD FINISH : Black enamel front with body stainless steel
- 8 adjustables Anti-cutting prongless spit
- Bottom drip pan with drain valve
- 4 Tempered Glass Doors (K.Glass)
- 2 halogen lamps of 200W each
- Self-Igniting Pilots
- 8 Motors 30W each

- Option :**
- COUL1: Body colours for Deluxe Model
  - COUL2: Front colours for Standard Model
  - Vertical spit system removable

### SPECIFICATIONS

<b>Gas Power</b>	30 kW
<b>Gas minimum consumption</b>	Natural : 3.18 m <sup>3</sup> /h. Propane: 2.33 kg/h
<b>Gas connector</b>	20/27" male
<b>Electricity</b>	230 V 50-60H 1phase+ neutral+earth 0.49 kW
<b>Capacity</b>	16/24 poultries
<b>Warranty</b>	1 year parts
<b>Venting</b>	Hood installed conformly with all local codes
<b>Minimum clearance</b>	65mm on the right, left and rear side
<b>Shipping weight</b>	265 kg

