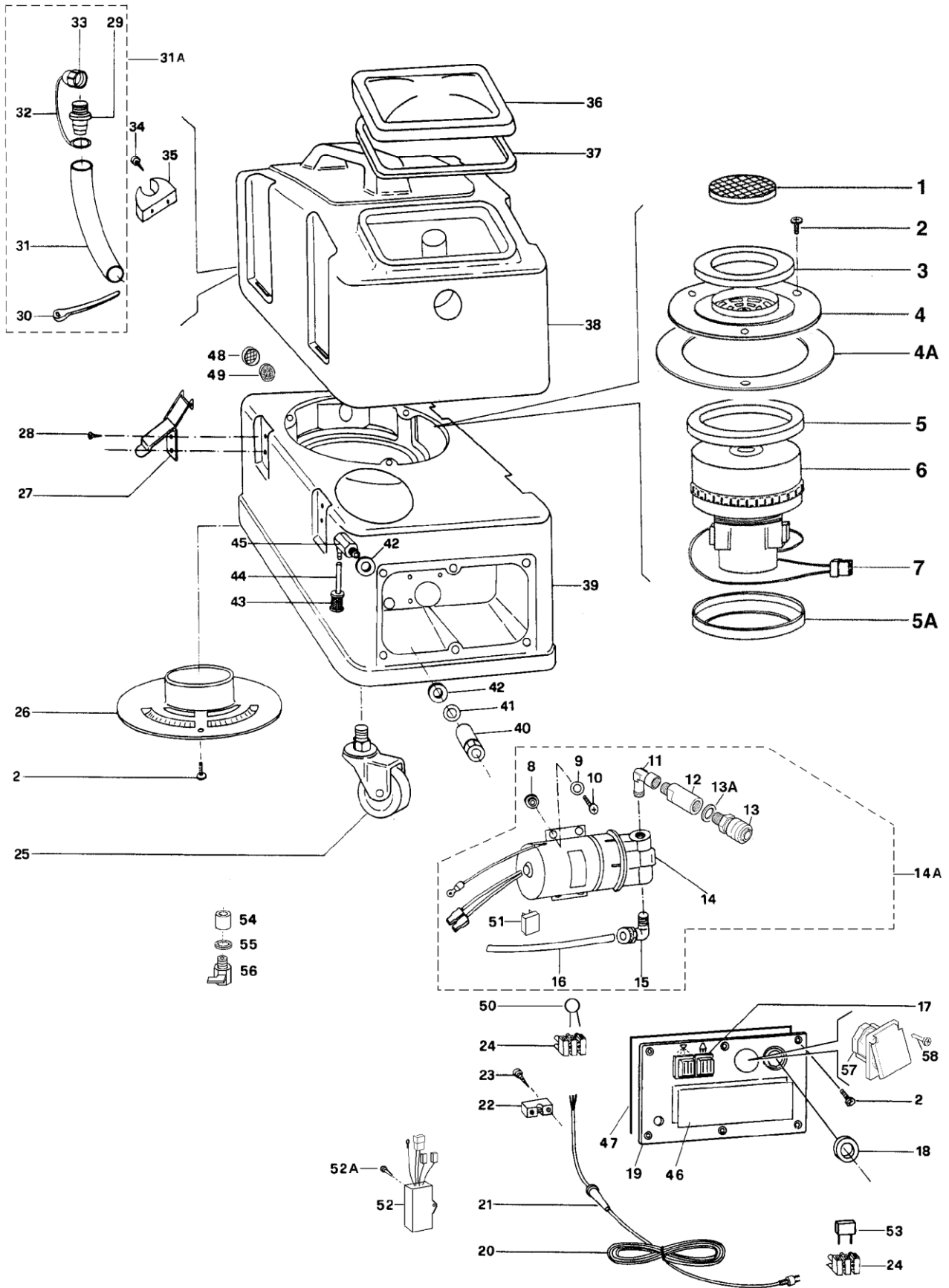


TABLE 9

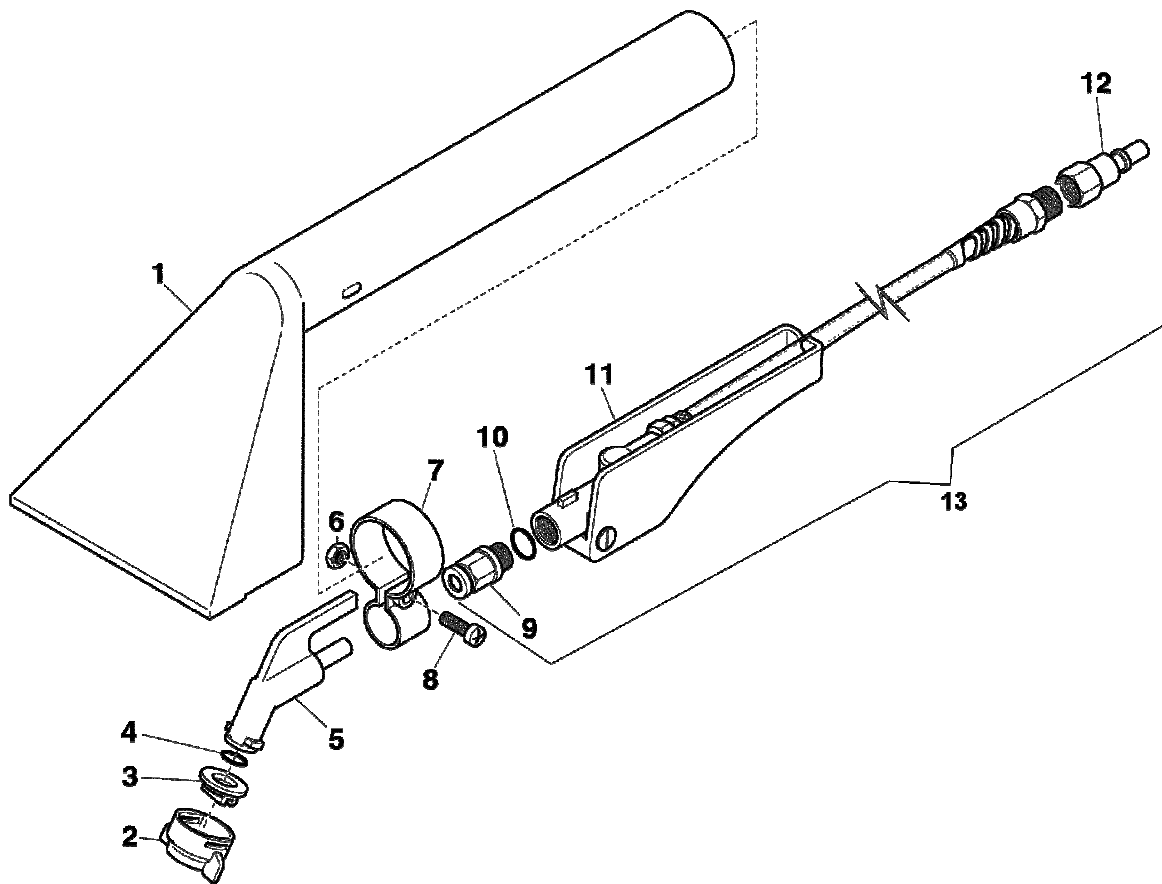


INJECTION-EXTRACTION MACHINE MOD. SUREVAC MAXI
TABLE 9 1/2

rif	codice	description
1	146	FILTER
2	536	STAINLESS STEEL SCREW TC+ 4x10
3	135	GASKET
4	136	UPPER FLANGE
4A	1351	GASKET FLANGE/UPPER TANK
5	81213	MOTOR GASKET 13mm HIGH WATERLIFT MOTOR (S/N > 45377)
	811	GASKET 5mm (S/N < 45377)
5A	812	MOTOR GASKET 10mm
6	821PA	MOTOR 1500W 220-240V 50 HZ HIGH WATERLIFT: SERIAL/N > 45377
	821	MOTOR 1200W 220-240V 50 HZ (SERIAL/N. < 45378)
	821PA-120	MOTOR 1500W 110V 50/60 Hz HIGH WATERLIFT: SERIAL/N > 45377
	820	MOTOR 1000W 110V 50/60 Hz (SERIAL/N. < 45378)
	821PA-100	MOTOR 1400W 100V 50/60 HZ HIGH WATERLIFT: SERIAL/N > 45378
	819	MOTOR 1000W 100V 50-60 HZ (SERIAL/N. < 45378)
7	234	PLASTIC CONNECTOR
	250	MALE FASTON – 6,3mm
8	7360	NEW TYPE VIBRATION DAMPING (SHURFLO)
9	517	WASHER 5x15
10	546	SCREW TC+ 5x25 (NEW TYPE: SHURFLO)
11	720	ELBOW
12	753	EXTENSION FOR METAL COUPLING
13	687-T	QUICK DISCONNECT FEMALE – METAL
14	643	PUMP 220-240V 50-60 Hz 100 PSI+ RECTIF.27935
	644	PUMP 100-120V 50-60 Hz 100 PSI (INTERNAL RECTIFIER)
14A	643C-M	PUMP 220-240V 50-60 Hz 100 PSI +RECTIFIER 27935 + METAL COUPLINGS
	644C-M	PUMP 100-120V 50-60 Hz 100 PSI + METAL COUPLINGS
15	622	ELBOW
16	746	RILSAN PIPE
17	217	2 POSITIONS SWITCH
18	163	BUSH
19	148	PANEL (WITHOUT HOLE FOR PLUG 2690)
	148M	PANEL (WITH HOLE FOR PLUG 2690)
20	2420	COMPLETE CABLE 3x1,5 10 M. WITH EURO PLUG
21	237	FAIRLEAD
22	238	CABLE LOCK
23	537	SCREW
24	236	CONNECTING TERMINAL
25	115	WHEEL
26	141	LOWER FLANGE

INJECTION-EXTRACTION MACHINE MOD. SABRINA MAXI
TABLE 9 2/2

rif	codice	description
27	142	COUPLER
28	542	SCREW TC+ 4,2x16
30	541	TIE
31	1591C-MAXI	DRAIN HOSE WITH CAP
31A	358C	COMPLETE DRAIN HOSE: COD. 541+1591C-MAXI
34	544	SCREW 4,2x22
35	160	CLIP
36	133	COVER
	133C	COVER WITH GASKET
37	134	GASKET
38	149R	RED UPPER TANK
	149V	GREEN UPPER TANK
	149A	BLUE UPPER TANK
39	150N	BLACK LOWER TANK
	150V	GREEN LOWER TANK
	150A	BLUE LOWER TANK
40	714	QUICK DISCONNECT FEMALE
41	540	BRASS WASHER
42	147	NEOPRENE WASHER
43	608	FILTER
44	734	RILSAN PIPE
45	702	CONNECTING PART COMPLETE
46	156	PANEL LABEL
47	186	PANEL GASKET
48	11638	PLASTIC FILTER
49	2025	FILTER PPI30 D.44
50	8132	VARISTOR FOR PUMP
51	27935	EXTERNAL RECTIFIER FOR SHURFLO PUMP
52	290	PUMP RADIO INTERFERENCE SUPPRESSOR
52A	538	SCREW TC+ 3,9 x 13
53	235	MOTOR RADIO INTERFERENCE SUPPRESSOR
54	7520	CONNECTING PART
55	521	LOCKING WASHER DIAM.12mm.
56	751	DRAIN VALVE
57	2690	ELECTRICAL SOCKET FOR EURO PLUG
58	538	SCREW TC+ 3,9x13

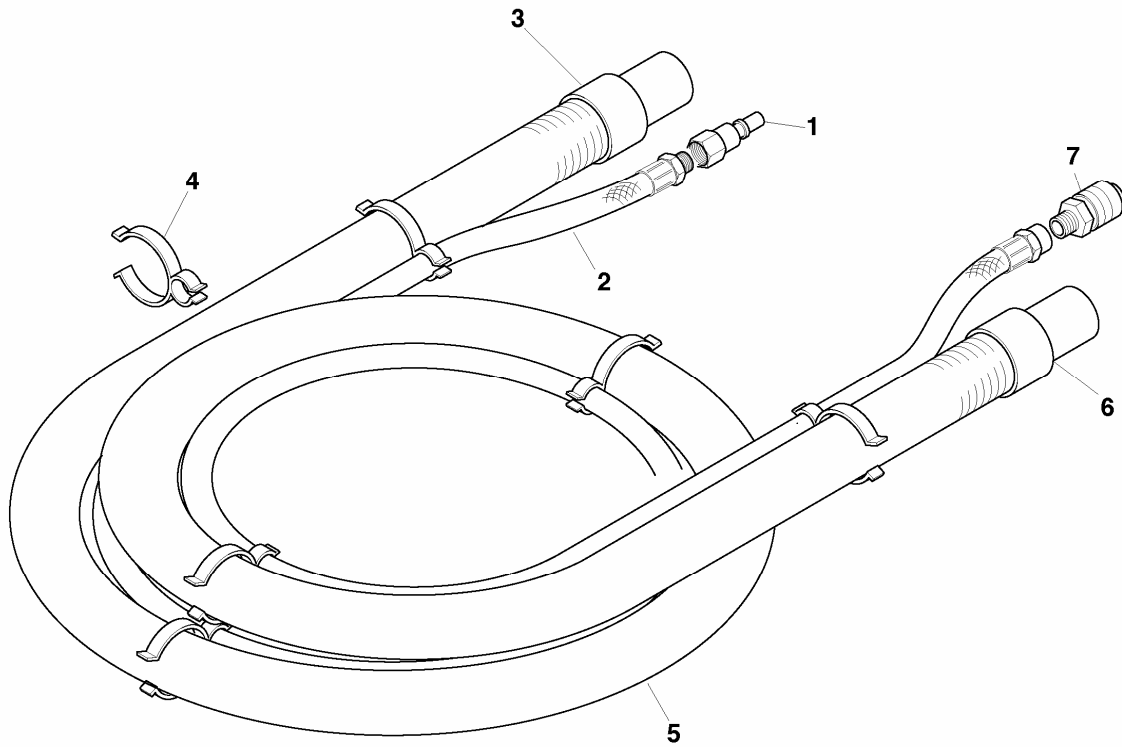


rif	codice	description
1	3280	PLASTIC BODY
2	7180	RING NUT FOR NOZZLE
3	705-01	NOZZLE 01/110
4	3209	O-RING 7,66 x 1,78
5	3281	ELBOW
6	525	NUT D.5
7	319	VALVE LOCK
8	504	SCREW TC+ 5x20
9	750	AUTOMATIC COUPLING D.8 - M.1/4
10	137	O-RING 1/4"
11	3200-INN	COMPLETE SOLUTION VALVE, WITHOUT COUPLINGS
12	689-PE	QUICK DISCONNECT MALE, ATT. F.1/4" - METAL
	727	QUICK DISCONNECT MALE, ATT. F.1/4" - PLASTIC
13	3200C-M	COMPLETE SOLUTION VALVE, METAL COUPLING
	3200C	COMPLETE SOLUTION VALVE, PLASTIC COUPLING

SPECIAL HOSES WITH "RAGNO" SOLUTION PIPE

H35-RAGNO-M: SUREVAC MAXI (3,5 MT)
H35-RAGNOL50-M: GRACE (5 MT)

TABLE 24



rif	codice	description
1	689-PE	QUICK DISCONNECT MALE - ATT. F-1/4" - METAL
2	3440-INN	RAGNO PIPE 8x14 L=3,5 M. + HOSE NIPPLES
	3440-L50-INN	RAGNO PIPE 8x14 L=5 M. + HOSE NIPPLES
3	334	CUFF DIAM.38
4	695	CLIP FOR HOSES DIAM.38-14
5	359	VACUUM HOSE D.38 MT. 3,5
	35950	VACUUM HOSE D.38 MT. 5
6	334	CUFF DIAM.38
7	687-PE	FEMALE QUICK DISCONNECT COUPLING - METAL