

# THREE-JAW ROTARY CHUCK

FIBER LASER  
ENGRAVER  
ACCESSORIES SERIES

COMPATIBLE FOR  
LASER ENGRAVER,  
ENGRAVING MACHINE,  
ANGLE GRINDER



Vertical Mounting Available  
Customizable for Specific Angle



ROTARY AXIS INCLUDES:  
INNER JAW+OUTER JAW+KEY





**REAL PRODUCT DISPLAY**  
**REAL STUFF**



**High Quality  
Stainless Steel Chuck**

- MODERATE HARDNESS
- KEEP THE FIXTURE
- ROTARY STABLE
- ACCURATE POSITION
- SMOOTH STROKE AND LOW
- COEFFICIENT OF FRICTION



**MATERIAL:**  
**ALLOY AND STAINLESS STEEL**

**180° Rotary Positioning**

- STEPLESS ADJUSTMENT
- SUPPORT MANUAL LOCKING
- STABLE POSITIONING
- CAN BE ADJUSTED WITH VERTICAL ANGLE



**MULTI-ANGLE  
ADJUSTMENT SYSTEM**



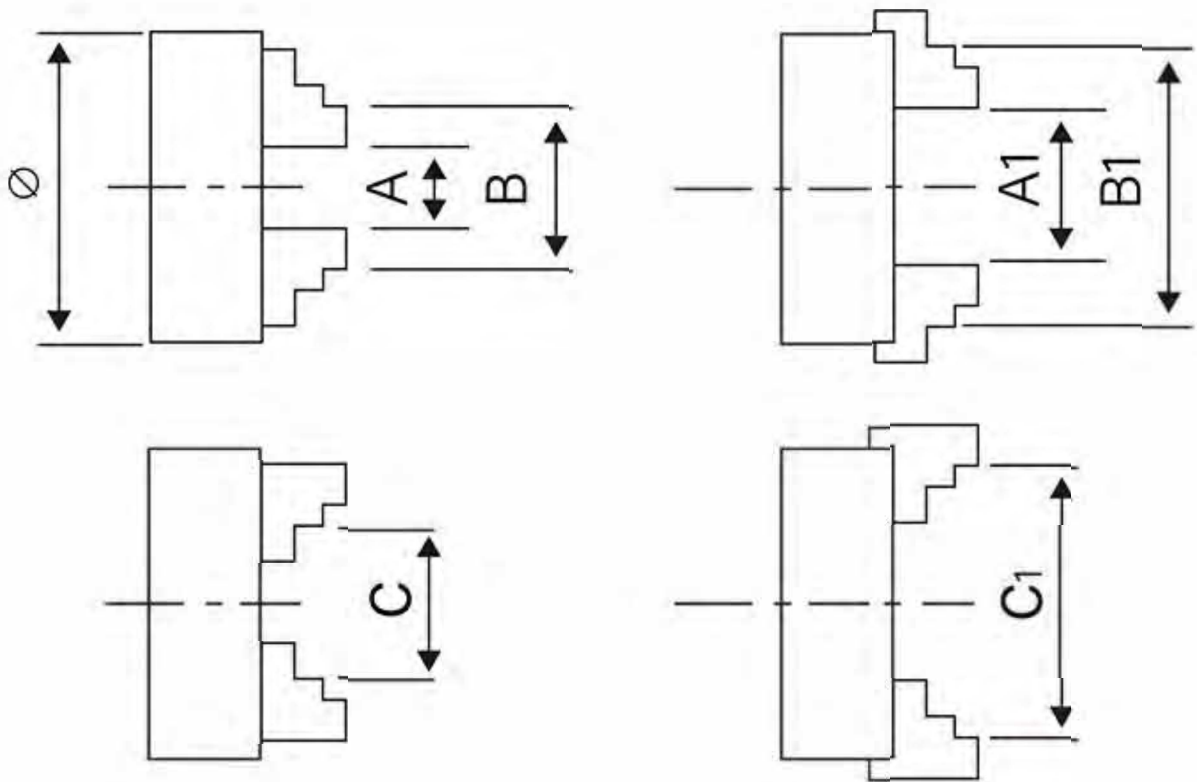
**Good Compatibility**

- USE AVIATION PLUG
- FITS VARIOUS BOARD CARD



**INDUSTRIAL  
STANDARD INTERFACE**

# Product Parameter



Specification	Clamping Range A	Bracing Range B	Clamping Range C	Elevation Angle	Weight
	A-A1	B-B1	C-C1		
80mm	2-22	25-70	22-63	0°-90°	5.7kg
100mm	2-30	30-90	30-80	0°-90°	12kg
125mm	2.5-40	38-125	38-110	Horizontal	15kg
160mm	3-55	50-160	55-145	Horizontal	18kg



## D69 E type rotary table data parameters

D69 chuck is mainly for rings and bracelets, light and short products

Motor: 60\*88 (Snowwaiter)

Drive: DM542

Power supply: Weihao S-120-24

Axis height: 115MM (can be tilted 90 degrees, house angle 45 degrees)

Chuck: D69. Internal clamping application (product outer diameter 2 to 83mm), external support application (product inner diameter 11 to 91mm). The jaw telescopic range is 12mm.

Application card pin. The factory is equipped with four kinds of needles, 4 pieces each

Transmission mode: synchronous belt 2.5 times deceleration, through hole 23mm

Dimensions: 208\*120\*165MM (length, width and height)

Mounting hole size: 100\*50MM (M5.M6 screws)

Advantages: large force, through hole, anti-shake. Turntable elastic clamping. Fast loading and unloading, improve efficiency.

Disadvantages: loss and aging of the synchronous belt. The clamp support has a small elasticity, which is only suitable for light and short products.

