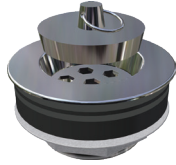
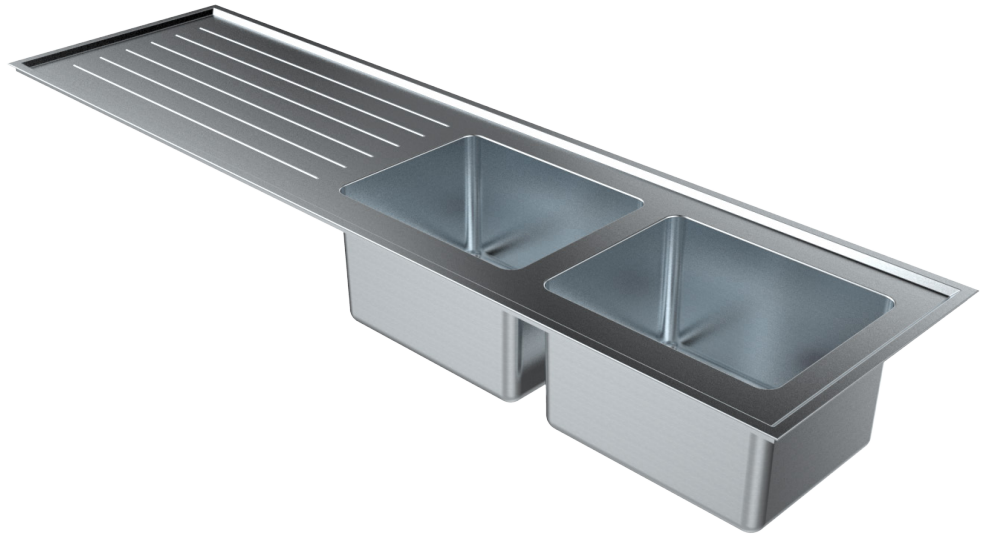


1800mm TWIN END BOWL UNIVERSAL LABORATORY SINK



Optional Acid Resistant
Grade 316 Stainless Steel
Waste Outlet (LSPW)



Scan QR code
to view online



features and benefits

- Standard Stocked Sizes
- Universal - can be used for both right and left hand applications
- Twin bowls, single drainer
- Optional WaterMark certified S.S. waste
- Will not crack or chip
- Corrugated drainer
- Radius internal bowl corners
- Grade 316 acid resistant S.S.
- 50mm centre waste
- 70mm hob to incorporate tapware
- Optional tapholes to suit specified tapware
- Suits school science rooms and laboratories

about

BRITEX Stainless Steel Twin End Bowl Universal Lab Sinks are fabricated using 1.2mm grade 316 acid resistant stainless steel. Incorporating a uniquely Britex innovation, the Universal Sink Range possess 70mm hobs on either side of the bowl which allow them to be used in both right and left hand applications. They are supplied with 60mm spaced corrugated drainer and optional WaterMark certified grade 316 stainless steel waste outlet (LSPW). The integrated bowls are 400L x 320W x 250D and radiused internal bowl corners ensure cleaning is easy. Tap holes can be supplied to suit specified tapware. Ideal for school science rooms and laboratories.

sample spec. text

BRITEX grade 316 S.S. 1800mm Twin End Bowl Universal Lab Sink - 1800L x 500W O/A. Bowl size 400L x 320W x 250D. Complete with corrugated drainer and 50mm WaterMark certified grade 316 S.S. waste outlet (LSPW) and XXXX tapware - Product Code LSTEB-S18-50

*RED TEXT may denote a variable where one option only is to be selected, a nominal dimension that needs to be specified, or an optional feature that can be removed if not required. Please refer to the back of this page for additional specification details and options.

VISIT BRITEX.COM.AU TO DOWNLOAD BIM FILES, CAD DRAWINGS AND THE MOST CURRENT PRODUCT LITERATURE.



MELBOURNE
Britex Place, Mirra Crt
Bundoora VIC 3083
t (03) 9466 9000
e vic@britex.com.au

SYDNEY
16 Northumberland Drv
Taren Point NSW 2229
t (02) 9531 2100
e nsw@britex.com.au

PERTH
Unit 1/8 Principal Link
Malaga WA 6090
t (08) 9249 5464
e wa@britex.com.au

BRISBANE
19 Manilla St
East Brisbane QLD 4169
t (07) 3363 2400
e qld@britex.com.au

ADELAIDE
The Britex Group
SA State Office
t 1300 764 744
e sa@britex.com.au

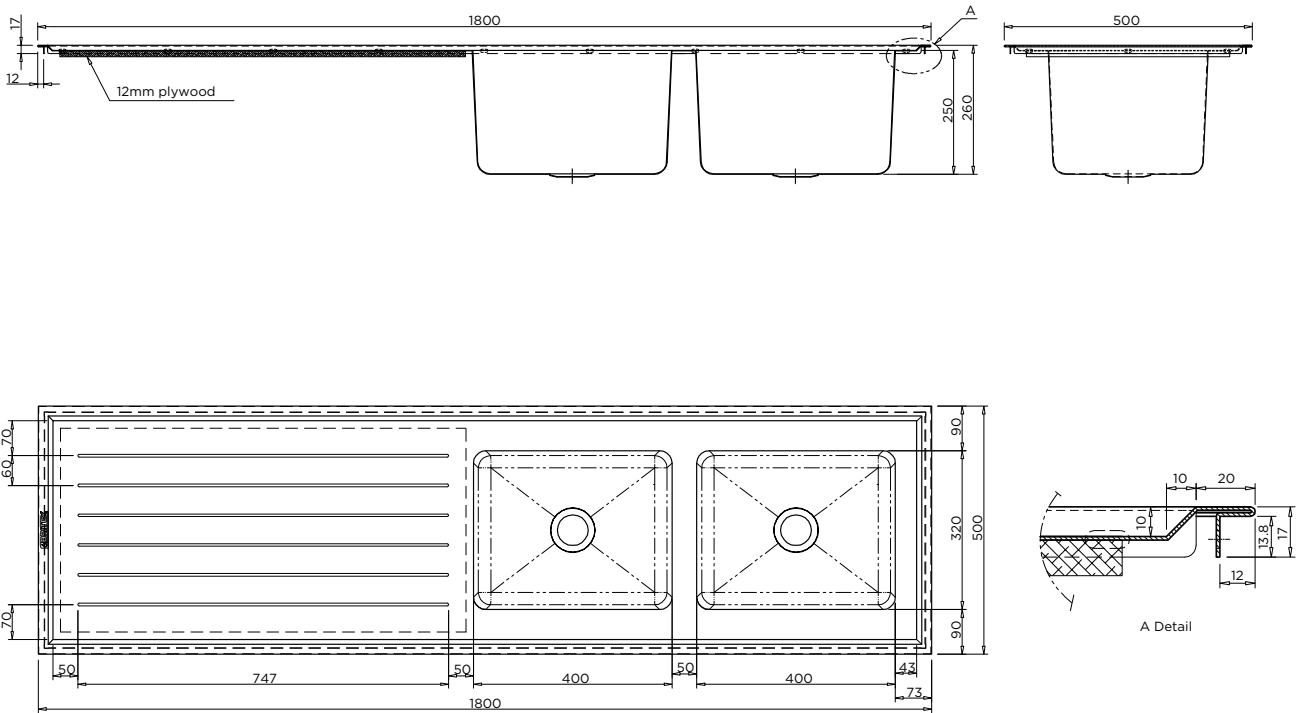
britex.com.au | info@britex.com.au | A.B.N 83 004 309 737

TWIN END BOWL

UNIVERSAL LABORATORY SINK

PRODUCT CODE

LSTEB-S18-50



- Product **Name** and **Code**
- Product **Features**
- Product **Dimensions**
- **Waste Outlet Type** (polypropylene or stainless steel)
- **Tapware** details (if required)



- Grade 316 S.S. Waste - LSPW: p 7.07
- Tapholes to suit
- Laboratory tapware

VISIT BRITEX.COM.AU TO DOWNLOAD BIM FILES, CAD DRAWINGS AND THE MOST CURRENT PRODUCT LITERATURE.

Last Revised 2019



Due to ongoing research and our commitment to product development, details are subject to change without notice. Details accurate at time of print. Please refer to britex.com.au for the most current product information. Allow +/- 5mm tolerance for dimensions and setouts shown in product literature.

britex.com.au info@britex.com.au A.B.N 83 004 309 737

