

MAT20MN TOP-LOAD WASHER



DEEP-WATER WASH SYSTEM

- Provides optimal wash performance with deep-water wash and rinse cycle options and vigorous cleaning action.
- Traditional flex-vane agitator provides four distinct wash profiles—from aggressive to gentle—designed to pull clothes from the top to the bottom of the wash basket.
- PowerWash® cycle provides more agitation for the dirtiest loads.



SIMPLE, EASY-TO-USE CONTROLS

- Mechanical controls provide a simple user interface with robust, easy-to-use knobs.



POWERFUL DRIVE SYSTEM

- Enhanced design of the triple-lip seal and stainless-steel shaft, in addition to the premium bearings, delivers reliability and consistency.
- Powerful 1/2 -HP PSC motor and quad-gear transmission create an efficient wash for every load.



HEAVY-DUTY CABINET

- Possesses the strength needed for high-demand commercial environments.
- Sturdy front panel, side panels, and easy-access base are all manufactured from high-grade, extra-strength galvanized steel.



REMOVABLE FRONT PANEL



PREMIUM PORCELAIN ENAMEL TOP & LID



EASY-ACCESS STEEL BASE



DEPENDABLE
LAUNDRY SOLUTIONS

Visit Dependablelaundry.com.au or call 1800 Maytag

OUR COMMITMENT TO DEPENDABLE QUALITY

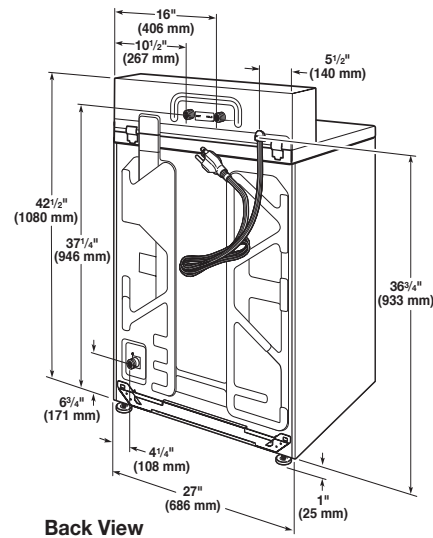
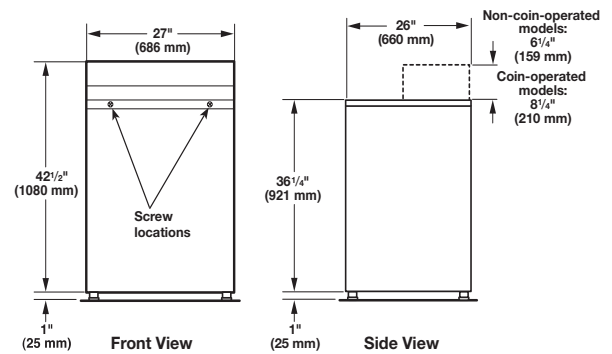
We understand what dependability means to your owners. That's why we use sturdy components and engineer our products to withstand tough commercial laundry environments for years. Our machines deliver consistent results, powerfully cleaning loads of varying sizes with ease. And because we trust our machines to perform, we back them with exceptional warranties. That's what reliability means to Maytag.

MAYTAG® COMMERCIAL TOP-LOAD WASHER MECHANICAL CONTROLS, NON-COIN

WASHER SPECIFICATIONS	
MODEL	MAT20MNA GW
MOTOR SIZE—HP (KW)	1/2 (.37)
EXTRACT SPEED—MAX G-FORCE / MAX RPM	144/700
APPROXIMATE WATER USAGE—LITERS	
Average total water usage per cycle	93.3
Average hot water usage, warm water cycle	2
Average hot water usage, hot water cycle	24.6
CAPACITY	
Cylinder volume—cu. ft. (liters)	2.9 (82)
Cylinder diameter—mm	528
Cylinder depth—mm	605
DIMENSIONS	
Width—mm	686
Depth—mm	660
Height—mm	1,130
Lid opening—mm	432
CRATED DIMENSIONS	
Width—mm	737
Depth—mm	699
Height—mm	1,255
APPROXIMATE WEIGHT	
Uncrated—kg	65.8
Crated—kg	73.9
ELECTRICAL REQUIREMENTS	
Electrical rating—voltage/HZ	220-240/50
Breaker/Fuse—amps	10
WATER INLET / HOSE	
Operating pressure PSI (bar)	20-100 (1-8)
Inlet hose length—ft. (m)	6 (1.8)
Drain hose length—ft. (m)	4.2 (1.3)
WARRANTY	
5-Year Limited	

Dimensions are for planning purposes only. See specific instructions for proper installation. Because of continuous product improvement, Maytag reserves the right to change specifications without notice.

MAT20MN TOP-LOAD WASHER



**5-YEAR LIMITED WARRANTY
ALL PARTS COVERED**

See maytagcommerciallaundry.com for complete warranty details.



**DEPENDABLE
LAUNDRY SOLUTIONS**

Visit Dependablelaundry.com.au or call 1800 Maytag