



IMAGE
TECHNOLOGY



MEDICAL CART - CNN02

Complete System

Overall Load Capacity	15 kg (33 lbs)
Packaged Dimension	W140 x D715 x H260mm (55.91" x 28.15" x 10.24")
Net Weight	39.5 Kg (86.05 lbs)

Display System

Display Support	Mounting Pattern	N/A
	Display Type	Laptop / Notebook
	Panel Size Support	9.7" ~ 17.3" Suggested
	Max. Weight Load	5 kg (11 lbs)*
*1.Please refer to Compartment item for the weight support of Laptop/Notebook. 2. Support on Tablet shall be prior to WxHxD dimension limit, please check respective specs sheets before actual install of Tablet on Cart.		
Cable Management	Yes	

Working Space

Type	Desk	Open Workspace
Max. Working Space	Dimension	517 x 261 mm (20.35" x 10.28")
	Max. Load (incl. compartment loading)	7.5 Kg (16.5 lbs)
Protection	Skidproof at edge	Yes
	Rear Handle	Yes
	Surface Coating	Yes

Storage & Inputs

Compartment	Max. Effective Dimension	W425 x D325 x H51mm (16.73" x 12.8" x 2")
	Key Lock	Yes
Keyboard Tray	Max. Effective Dimension	449 x 207 mm (17.68" x 8.15")
	Max. Height from Desk Base	41.5 mm (1.63")
	Wrist Comfort	Yes
	Tilt	Max. 12° (backward)
Mouse Pad	Max. Working Dimension	217 x 213 mm (8.54" x 8.39")
	Right-Left Slide in-&-out	Yes
	Mouse Holder	Yes
Scanner	Scanner Holder	Yes
Storage Bin	Yes	
External CPU Holder	Yes	

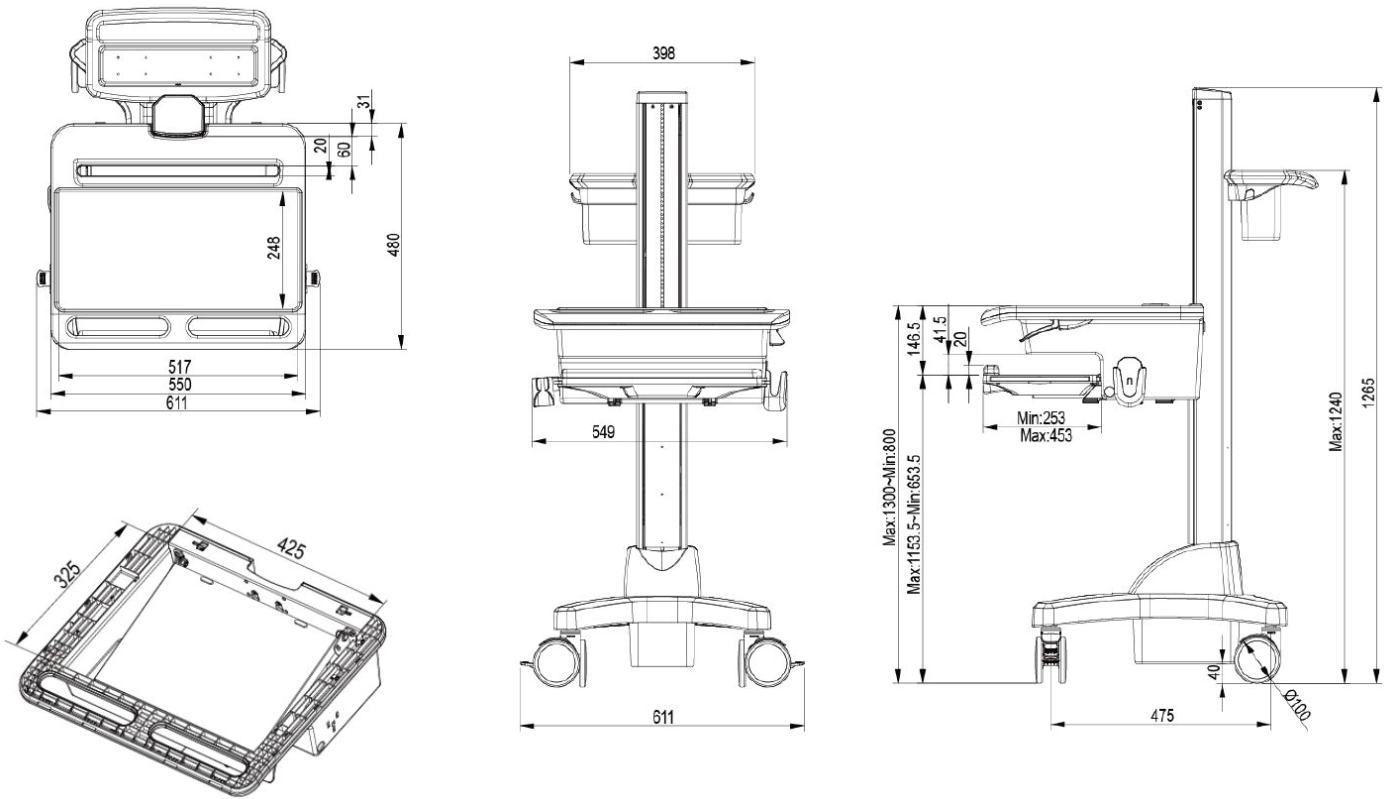
Base System

Caster	No	4
	Locking / Brake	Front 2
	Low Noise	Yes
Main Lift	Lift Handle	Yes
	Height Adjust Range	500 mm (19.7")
	Tension Torque Adjust	Yes*
	*Locking the Display & Main Lift are always essential before the cart setting for move.	

Environmental

RoHS/REACH Compliance	Yes
-----------------------	-----

Product Dimensions



Related Products

CNH02

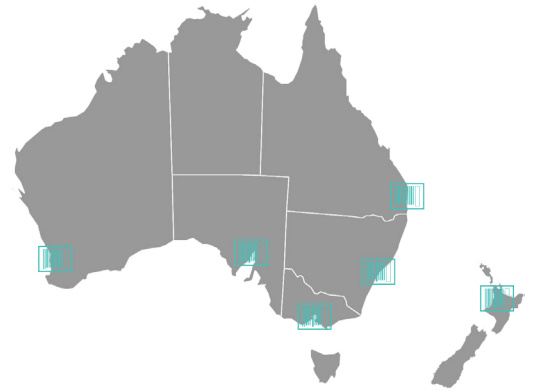


CNR02



OUR SERVICES & SUPPORT

As many of our clients can testify, Peacock Bros Service and Support gives us the edge in our solutions. Whatever your requirements, Peacocks Bros. will be there for your immediate and long term needs.



Contact us today on 1300 723 282
or visit www.peacockshealthcare.com.au

VIC

11-13 Stamford Road, Oakleigh
Victoria, Australia 3166
t: (03) 9567 1900
f: (03) 9563 1977
e: enquiries@peacocks.com.au

WA

Unit 8, 28 Belmont Avenue, Rivervale
Western Australia, Australia 6103
t: (08) 9475 3700
f: (08) 9277 2938
e: enquiries@peacocks.com.au

SA

Unit 1/3 Clementina Drive, Port Adelaide
South Australia, Australia 5015
t: (08) 8468 8800
f: (08) 8240 4453
e: enquiries@peacocks.com.au

NSW

Unit 3, 170 Power Street, Glendenning
New South Wales, Australia 2761
t: (02) 8603 4800
f: (02) 9721 0999
e: enquiries@peacocks.com.au

QLD

Unit 15/121 Kerry Road, Archerfield
Queensland, Australia 4108
t: (07) 3875 9900
f: (07) 3277 7942
e: enquiries@peacocks.com.au

NZ

25B Birmingham Road, Otara
Manukau, New Zealand
t: +64 (09) 273 4455
f: +64 (09) 274 0952
e: enquiries@peacocks.com.au