

C 2148



Modular Ice Machine up to 1020 kg

Item #:
Project:
Quantity:



FEATURES

- Agion: the technology that makes products cleaner and longer lasting with built-in protection working 24/7 to resist the growth of microbes and the development of unpleasant odors.
- One touch cleaning: reduces labor costs and saves time.
- Electronic control: ambient and water temperatures may change throughout the years but your ice machine will stay the same.
- Front access condenser air filter: a do-it-yourself cleaning operation that saves time and money and makes your ice machine live longer.
- Water sense adaptive purge control: uses just as much water as it is actually needed, limiting wastage to the minimum.
- Head only ice maker: requires a separate storage bin to store the ice produced. Also suitable for installations on beverage fountains/dispensers.



C 2148 M
Medium Cube 10 g
W 22 x D 22 x H 22 mm

CONDENSING SYSTEM

Remote condenser
Water cooled

REFRIGERANT GAS

R404A

VOLTAGE V/Hz/ph

230/50/1
230/60/1

RECOMMENDED BINS

Head	Bins		kg
C 2148	✓	SB948	406
	CBT30/52AMCD	SB1025	478
	●	UBH1100	553
	●	UBH1600	812

LEGENDA:

- ✓ : Perfect combination between ice maker and bin
- : Ice chute cut-out performed upon installation
- CBTxxxxxxx : need additional bin top

Certifications:



OPERATING REQUIREMENTS

	Minimum	Maximum
Air temperature	10°C	43°C
Water temperature	5°C	38°C
Water pressure	1 bar (14 psi)	5 bar (70 psi)
Electrical voltage	-10%	+10%

IMPORTANT NOTICE:
Models and specifications are subject to change without notice. This spec sheet is meant for commercial purpose only. For technical documentation please refer to our service manuals.

Download our free **App Scotsman Ice**
Apple store
Google play
Windows store



www.scotsman-ice.it
www.scotsman-ice.com

Modular Ice Machine up to 1020 kg

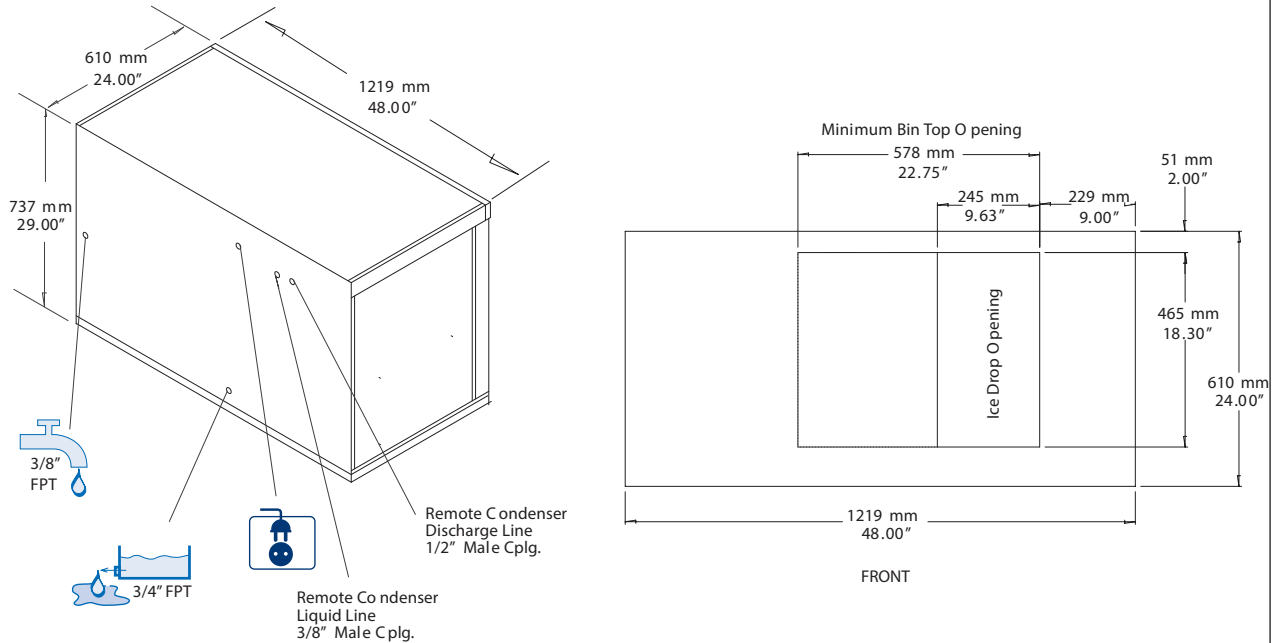
C 2148



Modular Ice Machine up to 1020 kg

Item #:
Project:
Quantity:

Modular Ice Machine up to 1020 kg



UNIT OF MEASUREMENT: mm

UNIT DATA			Compressor		Circuit wires		Max. fuse size		
			Version	Voltage	Btu/h	W	No.	Ømm ²	A
Size (W x D x H)	1219 x 610 x 737 mm		C 2148 M ASR	230/50/1	10851	3180	2		30
Net weight	160 kg		C 2148 M WS	230/50/1	0				
SHIPPING DATA			C 2148 M ASR	230/60/1	9418	2760	2		50
			C 2148 M WS	230/60/1	0				
Carton (W x D x H)	1310 x 700 x 870 mm								
Weight	168 kg								
			24 h ice production kg °C Amb. / °C Water			Energy consumption*		Water usage*	Instant power
Version	Condensation	Voltage	10°C/10°C	21°C/10°C	32°C/21°C	kWh/100 kg	kWh/24h	l/h	W
C 2148 M ASR	Remote	230/50/1	1020					0.0	
C 2148 M WS	Water	230/50/1	1020					0.0	
C 2148 M ASR	Remote	230/60/1	1020					0.0	
C 2148 M WS	Water	230/60/1	1020					0.0	

(*) Data refer to 32°C Amb. / 21°C Water temperature conditions