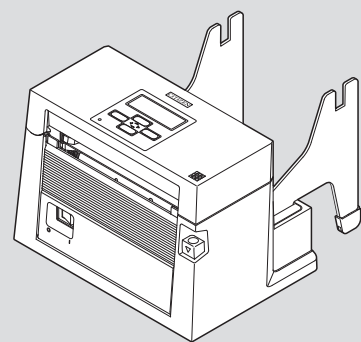


This Quick-Start Guide covers basic operation.

For detailed operating instructions, please see the User's Manual on the supplied CD-ROM.



**\* For Further Information . . .**

For further information and more detailed instructions on the use of your new printer, please refer to the complete user manual included on the CD-ROM accompanying your printer. Alternatively, you can download the user manual and additional data from Citizen's websites shown below.

The local Citizen Systems office can be contacted as follows:

For North and South America:  
**CITIZEN SYSTEMS AMERICA CORPORATION**  
363 Van Ness Way, Suite 404  
Torrance, CA 90501. USA  
Tel: (310) 781-1460  
Fax: (310) 781-9152  
<http://www.citizen-systems.com>

For Europe, Middle East and Africa  
**CITIZEN SYSTEMS EUROPE GmbH**  
Mettinger Strasse 11 Park House, 643-651 Staines Road  
D-73728, Esslingen Feltham, Middlesex, TW14 8PA  
Germany United Kingdom  
Tel: +49 (0) 711 3906 420 Tel: +44 (0) 20 8893 1900  
Fax: +49 (0) 711 3906 405 Fax: +44 (0) 20 8893 0080  
<http://www.citizen-europe.com>

For Asia, including China and Japan:  
**CITIZEN SYSTEMS JAPAN CO., LTD.**  
6-1-12, Tanashi-cho, Nishi-Tokyo-shi  
Tokyo, 188-8511. Japan  
Tel: +81 (0) 42 468 4608  
Fax: +81 (0) 42 468 4997  
<http://www.citizen-systems.co.jp>

CITIZEN is a registered trade mark of CITIZEN HOLDINGS CO., Japan.  
CITIZEN es una marca registrada de CITIZEN HOLDINGS CO., Japón.  
Copyright © 2011 by CITIZEN SYSTEMS JAPAN CO., LTD.

\* The model name printed on the CL-S400DT rating label is JP12-M01.

**! Safety Instructions - which must be strictly observed**

For the safe operation of your printer, please read the following important operation and safety instructions carefully. Failure to observe these precautions can result in personal injury or property damage or, in extreme situation, serious injury or death.

1. Read all of these instructions and save them for later reference.
2. Follow all warnings and instructions marked on the product.
3. Unplug this product from the wall outlet before cleaning. Do not use liquid or aerosol cleaners, thinner, trichloroethylene, benzene, ketone or similar chemicals. Instead use a damp cloth for cleaning, when the printer is disconnected from the mains supply.
4. Do not use this product near water or where a chemical reaction can occur such as in a laboratory or where there is a lot of oil, dust, salt or iron particles.
5. Do not place this product on an unstable cart, stand or table. The product may fall, causing serious damage to the product and people around it.
6. Slots and openings on the cabinet and the back or bottom are provided for ventilation.
7. To ensure reliable operation of the product and to protect it from overheating, do not block or cover these openings. The openings should never be blocked by placing the product on a bed, sofa, rug or other similar surface. This product should never be placed near or over a radiator or heat source. This product should not be placed in a built-in installation unless proper ventilation is provided.
8. This product should be operated from the type of power source indicated on the marking label. If you are not sure of the type of power available, consult your dealer or local power company.
9. This product is equipped with a three-pronged plug, a plug having a third grounding pin. This plug will only fit into a grounding-type power outlet. This is a safety feature. If you are unable to insert the plug into the outlet, contact your electrician to replace your obsolete outlet. Do not defeat the safety purpose of the grounding-type plug.
10. Do not allow anything to rest on the power cord. Do not locate this product where the cord will be walked on. Do not pull on the power cord or data cables or keep them under tension.
11. If an extension cord is used with this product, make sure that the total of the ampere ratings on the products plugged into the extension cord do not exceed the extension cord ampere rating. Also, make sure that the total of all products plugged into the wall outlet does not exceed 7.5 amperes for 220/240V outlet and 15 amperes for a 120V outlet.
12. Never push objects of any kind into this product through cabinet slots as they may touch dangerous voltage points or short out parts that could result in a risk of fire or electric shock. Never spill liquid of any kind on the product.
13. Except as explained elsewhere in this manual, don't attempt to service or disassemble this product yourself. Opening and removing those covers that are marked "Do Not Remove" may expose you to dangerous voltage points or other risks. Refer all servicing on those compartments to service personnel.
14. The mains plug on this equipment must be used to disconnect mains power. Please ensure that the socket outlet is installed near the equipment and shall be easily accessible.
15. Unplug this product from the wall outlet and refer servicing to qualified service personnel under the following conditions:
  - a. When the power cord or plug is damaged or frayed.
  - b. If liquid, aerosol chemicals or other chemicals have been spilled into the product.
  - c. If the product has been exposed to rain or water or excessive humidity.
  - d. If the product does not operate normally when the operating instructions are followed. Adjust only those controls that are covered by the operating instructions since improper adjustment of other controls may result in damage and will often require extensive work by a qualified technician to restore the product to normal operation.
  - e. If the product has been dropped or knocked or the cabinet has been damaged.
  - f. If the product exhibits a distinct change in performance, indicating a need for service.
16. Discard or safely store the plastic packing bag. This bag should be kept away from children. If the bag is pulled over child's head, it may cause suffocation.
17. Make sure if you open the top cover, it is opened all the way. If only partially open, the cover could slam shut, possibly causing injury.
18. When the cover is open, be careful of the corners of cover. They could cause injury.
19. Do not open the printer during printing.
20. Operate the control panel properly. A careless, rough handling may cause problems or malfunction. Do not use such sharp-edged tool as a ballpoint for operation.
21. If a problem occurs during printing, stop the printer immediately and unplug the power cord from the outlet.
22. The contents of this manual may be changed without prior notice.
23. Reproduction, transfer, or transmission of the contents of this manual without prior consent is strictly prohibited.
24. We are not liable for any damage resulting from the use of the information contained herein, regardless of errors, omissions, or misprints.

25. We are not liable for any problems resulting from the use of optional products and consumable supplies other than the designated products contained herein.
26. We are not liable for any damage caused by user's erroneous use of the printer and inadequate environment.
27. Data residing in the printer is temporary. Therefore, all data will be lost if power is lost. We are not liable for any damage or loss of profits caused by data loss due to failures, repairs, inspections, etc.
28. Please contact us if there are any mistakes or ambiguities within this manual.
29. If there are missing or incorrectly collated pages in this manual, contact us to obtain a new manual.
30. Trademarks or registered trademarks of other companies and products are included in this manual. Citizen acknowledges all trademarks.

**Compliance Statement for European Users**

CE marking shows conformity to the following criteria and provisions:  
Low Voltage Directive (2006/95/EC)/EN60950-1  
EMC Directive (2004/108/EC)/EN55022, EN55024, EN61000-3-2 & EN61000-3-3  
This product has been tested under EN ISO 7779 and has a acoustic level output no higher than 55db(A)

**GS MARK STATEMENT**

This product has been tested under EN ISO 7779 and has an acoustic level output no higher than 55db(A). This device is not intended for use at a video workstation in compliance with Bildschirm V. This device is not intended for use in the direct field of view at visual display workplaces. To avoid incommoding reflections at visual display workplaces this device must not be placed in the direct field of view.

**FCC Compliance Statement for American Users**

This equipment has been tested and found to comply with the limits for a Class A digital device, pursuant to Part 15 of the FCC Rules. These limits are designed to provide reasonable protection against harmful interference when the equipment is operated in a commercial environment. This equipment generates, uses, and can radiate radio frequency energy and, if not installed and used in accordance with the instruction manual, may cause harmful interference to radio communications. Operation of this equipment in a residential area is likely to cause harmful interference in which case the user will be required to correct the interference at his own expense.

**EMI Compliance Statement for Canadian Users**

This equipment generates and uses radio frequency energy and if not installed and used properly, that is, in strict accordance with the manufacturer's instructions, may cause interference to radio and television reception. This digital apparatus does not exceed the Class A limits for radio noise emissions from digital apparatus set out in the Radio Interference Regulations of the Canadian Department of Communications. This equipment is designed to provide reasonable protection against such interference in a residential installation. However, there is no guarantee that interference will not occur in a particular installation. If this equipment does cause interference to radio or television reception, which can be determined by turning the equipment off and on, the user is encouraged to try to correct the interference by one or more of the following measures:

- Reorient or relocate the receiving antenna.
- Increase the separation between the equipment and receiver.
- Connect the equipment into an outlet on a circuit different from that to which the receiver is connected.
- Consult the dealer or an experienced radio/TV technician for help.

**CAUTION:** Use shielded cables to connect this device to computers. Any changes or modifications not expressly approved by the grantee of this device could void the user's authority to operate the equipment.

**Etat de Conformite EMI à l'usage des Utilisateurs Canadiens**

Cet équipement produit et utilise l'énergie à radiofréquences et s'il n'est pas installé et utilisé correctement, c'est à dire en accord strict avec les instructions du fabricant, il risque de provoquer des interférences avec la réception de la radio et de la télévision. Le présent appareil numérique n'émet pas de bruite radio électriques dépassant les limites applicables aux appareils numériques de la classe A prescrites dans le Règlement sur le brouillage radioélectrique édicté par le ministère des Communications du Canada. Cet équipement est conçu pour fournir une protection satisfaisante contre de telles interférences dans une installation résidentielle. Cependant, il n'y a pas de garantie contre les interférences avec les réceptions radio ou télévision, provoquées par la mise en et hors circuit de l'équipement; aussi, il est demandé à l'utilisateur d'essayer de corriger l'interférence par l'une ou plus des mesures suivantes:

- Réorienter l'antenne de réception.
- Installer l'ordinateur autre part, par égard pour le récepteur.
- Brancher l'ordinateur dans une prise de courant différente de façon à ce que l'ordinateur et le récepteur soient branchés sur des circuits différents.

**1 Read This First !**

Thank you very much for purchasing Citizen's printer. This manual covers the basic operation of the product. For more information, please refer to the manual in the accompanying CD-ROM. When you have finished reading this manual, please keep it handy near the printer for future reference.

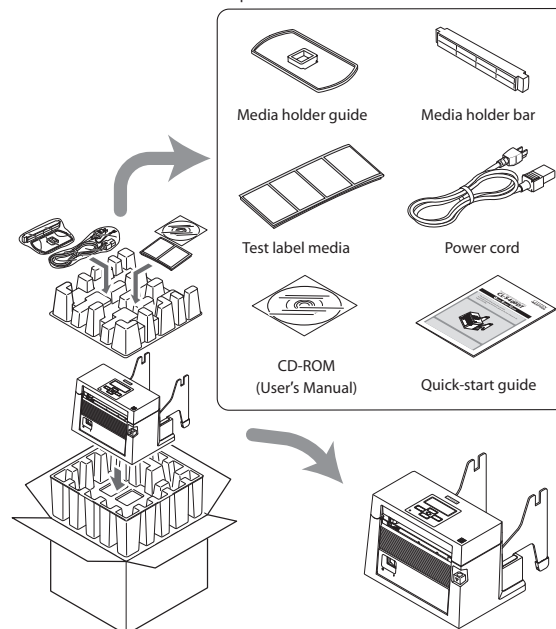
**Basic Carton Contents**

Please open the carton and check that the printer and the following accessories are included. If any is missing, please contact the retailer where you bought the product.

**! Caution**

Be careful when moving or carrying the printer and when taking the printer out of the carton. The printer may cause injury or property damage if dropped. Be sure to grip the printer housing firmly when taking it out of the carton. Do not grip the printer by the packing material which may break, causing the printer to drop.

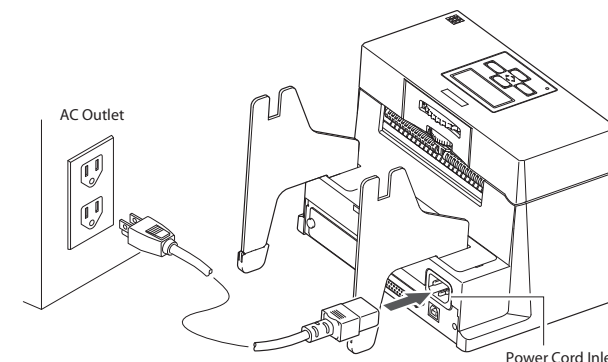
Check that the following accessories are included with the printer in the carton.



**2 Connection**

**Connection to Power**

- 1 Check that the power switch to the printer is turned OFF.
- 2 Connect the connector of the power cord to the power cord inlet on the printer.
- 3 Insert the plug of the power cord in the AC outlet.



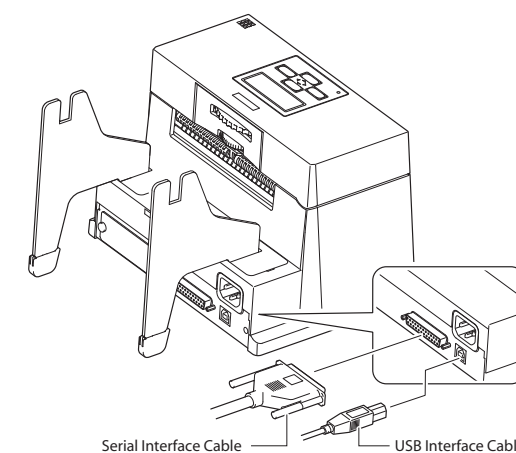
**! Caution**

Use an AC outlet that accepts a three-pronged plug. Otherwise, static electricity may be generated and there will be danger of electric shock.

**Connection to a Computer**

This product has two interfaces that can be used to receive printing data: a serial port (RS232C) and a USB port (USB2.0). An optional internal Ethernet or an IEEE1284 Parallel port can be added by your dealer. To connect the cable, proceed as follows:

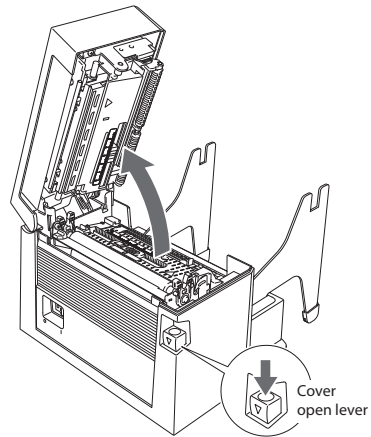
- 1 Turn OFF both power switches of the printer and the computer.
- 2 Connect one end of the interface cable to the interface connector on the back of the printer and secure it with locks or locking screws, where available.
- 3 Connect the other end of the interface cable to the interface connector on the computer and secure it with locks or locking screws, where available.



**Note:** If the optional Ethernet or an IEEE1284 Parallel port is used, contact your Citizen Systems dealer.

## 3 Media Installation

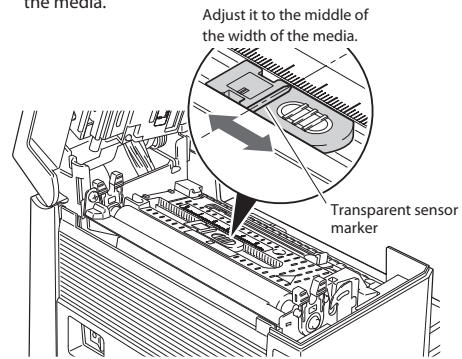
- 1** Push the cover open lever to release the printer cover. It can be opened to the position shown below by lifting the printer cover by hand.



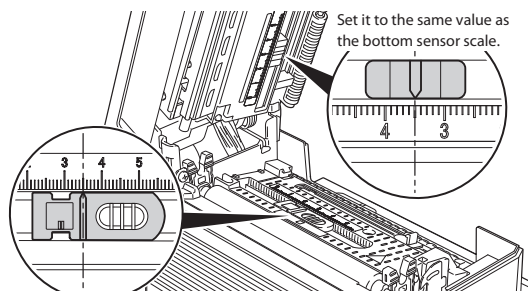
- 2** Setting sensor positions.

■ **When using a transparent sensor**

- ① Move the bottom sensor to the middle of the width of the media.



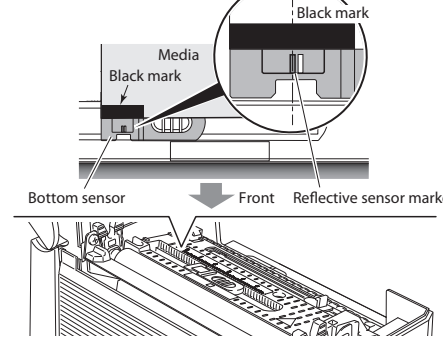
- ② Then, regulate the position of the upper sensor so that the upper sensor marker scale indicates the same value as the scale of the bottom sensor scale. When using media that is 4 inches wide, position the upper sensor and the bottom sensor all the way to the right (cover open lever side).



<In case the position of the bottom sensor scale is 3.5>

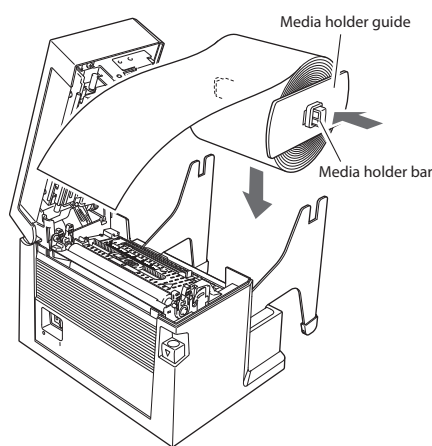
■ **When using a reflective sensor**

- Adjust the position of the sensor so that the reflective sensor marker of the bottom sensor is at the center of the black mark of the media as shown below.



- 3** Set the media on the printer. Firstly, slide the two black plastic parts of the media holder assembly together. Ensure correct alignment of the guide with the bar as it can only be installed in one direction.

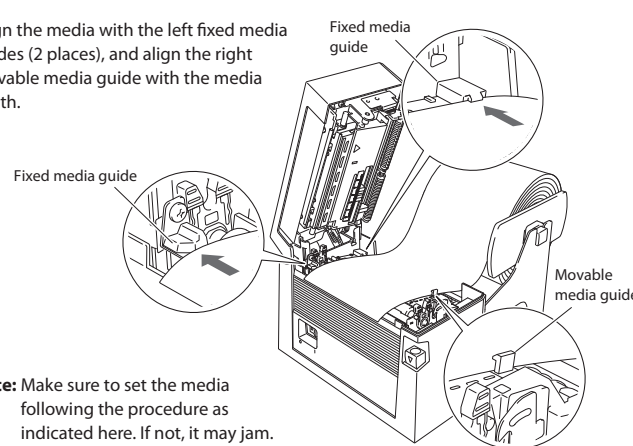
- 4** Slide the roll of media over the media bar. The media guide must be on the right side of the roll of media (as viewed from the front of the printer) with the ribbed surface of the media guide touching the media roll as shown in the illustration.



- 5** Set the media roll and media holder in to the printer as shown above. It is advisable to pull a length of media forwards and through the mechanism ready for later positioning.

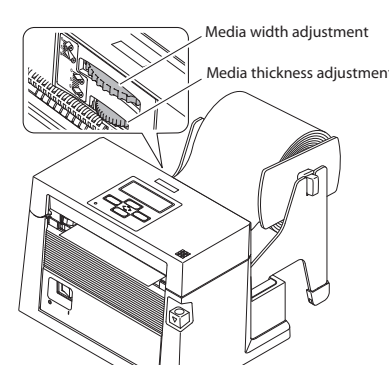
- 6** Move the media roll so it is touching the left side of the housing. Then slide the black media guide so it is touching the media on the right side. Do not try to hold the media too tightly with these guides as it will cause the printer to jam during printing.

- 7** Align the media with the left fixed media guides (2 places), and align the right movable media guide with the media width.



**Note:** Make sure to set the media following the procedure as indicated here. If not, it may jam.

- 8** Lower and lock the printer cover. Align it with the width of the media that has been set, then set the media width and media thickness adjustment dials. See "Chapter 3 Printer Adjustments" of the full user's manual on the CD-ROM supplied.



- 9** With the power switched on, push the FEED key to feed the media. It will halt at the next print start position.

## 4 Self Tests

### Self Print Mode

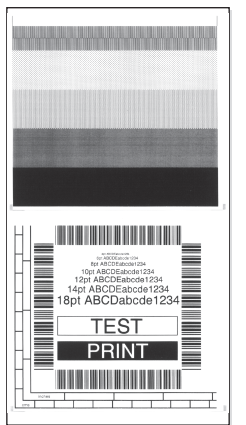
Performing a self test print is an easy way to check on the configuration of the printer. Install the media as explained elsewhere and then operate the printer as follows.

● **For label media**

Turn on printer power while pushing the FEED key. When the LCD indicates "Self Print Mode" and "Label Media", release the FEED key.

● **For continuous media**

Turn on printer power while pushing the FEED key. When the LCD indicates "Self Print Mode" and "Label Media", and then changed to "Self Print Mode" and "Cont. Media", release the FEED key.



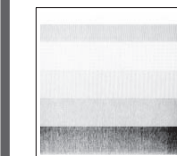
Media feed direction

The printer will produce the self test shown, then it will stop. To repeat, press the FEED key again. To exit, switch off the printer.

Using the Self Test Print shown above, you can make adjustments to the printer settings such as media width and media thickness (printhead pressure). The location of these two adjustments is explained in section 3 (step 8) and also shown on the labels on the printer's mechanism.



The first sample, left, shows an incorrectly set "media thickness adjustment". For standard label media, it is recommended you set the blue dial to the "1" position.



The second sample, left, shows an incorrectly set "media width adjustment". For 4-inch or 102mm wide media, the adjuster should be set to the "9" position on the blue dial.

## 5 Printer Configuration

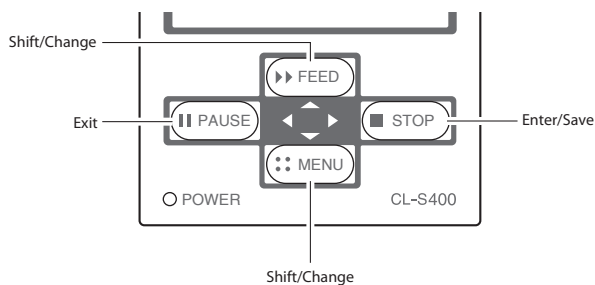
### Menu Setup Mode

If the MENU key is pressed while the printer is in the On Line Ready state, the printer enters menu setup mode. In this mode, the printer's configuration can be changed using the operation panel. During menu setting mode, the LCD indicates the current menu settings and the key function.

■ **Functions of the keys**

When you enter Menu Setup Mode, the LCD displays "Main Menu" on the top line and Page Setup below.

In the menu setup mode, the four keys become "cursor keys" to navigate the menu. Refer to the four small arrows in the centre of the keypad rather than the names of the keys.



**FEED key (Shift/Change):**

The ▲ key (FEED key) goes up the menu system or selects a higher value

**MENU key (Shift/Change):**

The ▼ key (MENU key) goes down the menu system or selects a lower value

**STOP key (Enter/Save):**

The ► key (STOP key) selects or saves the item or enters a menu

**PAUSE key (Exit):**

The ◀ key (PAUSE key) exits the current item (goes back) and eventually exits the menu system

The menu settings are stored temporarily in the printer's memory. They are only permanently stored in the printer setup when you exit the menu system and say "Yes" to the "Save Settings" question.

## 6 Windows® Drivers

### Printer Driver Installation

If the drivers are not included with the printer, you can download the latest version free-of-charge from our web site, details of which are on the back of this Quick Start Guide.

Under the latest versions of Windows®, the computer will often automatically detect the presence of the printer. Therefore it is advisable to download the drivers from our web site before installing the printer so the files are ready for installation.

During installation of the printer driver, the computer may ask you to select the printer required.

You will need to click on the "Have Disk..." box then tell the computer the location of the driver files on your CD ROM. You will usually need to look for the "Citizen.Inf" file.

Your supplier will assist you with the correct drivers and software which are compatible with your particular computer system if you are not using Windows®.

Windows® is a trademark of Microsoft® Corporation.

