

Rotisol



 BASKET RÔTISSERIE

Rôti-Roaster

FBP8.520

DESIGN

- High Performance, Elegant and modern rotisserie with interior lighting to accentuate your roasting meats and vegetables
- All Stainless Steel body
- Optional: double convex glazing anti-burns with illuminated sign "ROTISSERIE"

CULINARY ADVANTAGES

- Rapid roasting whilst still retaining rotisserie quality
- Display and programming of cooking time and temperature
- 6 cooking programs, alert at end of cycle - products can then be maintain at 63 C°
- Latest range of heating elements
- 8 chicken baskets engineered for easy unloading
- Also suitable for other poultry, meats and vegetables

SAFETY

- K.Glass door reduces heat loss, hence quicker cooking times and prevents burns and burns
- Automatic cooling of the heating turbine at end of cooking cycle
- Drip pan with a plug to collect grease for ensured hygiene and safety
- New generation of rotisserie with very low energy consumption, fully insulated model



Option : double convex glazing anti-burns



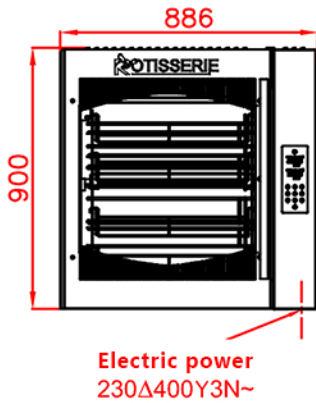
CLEANING

- Removable inside panel and juice tray for easy cleaning
- Protection of the interior lighting by ceramic glass for easy surface cleaning
- Disassembly of all cooking accessories for simple cleaning

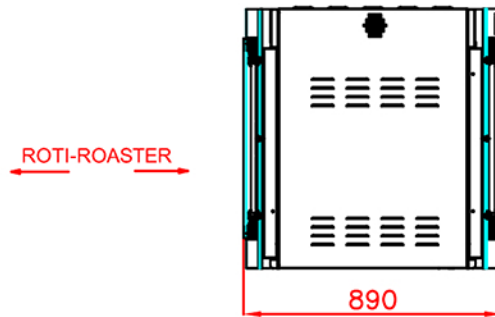
ACCESSORIES



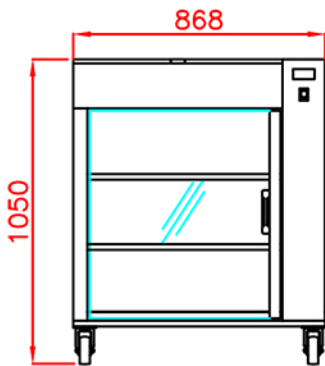
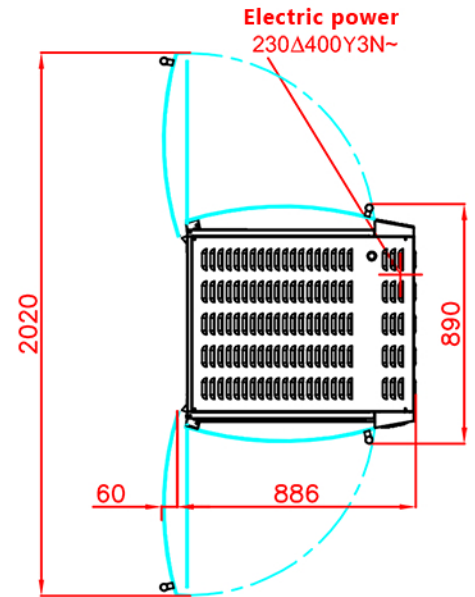
Front view



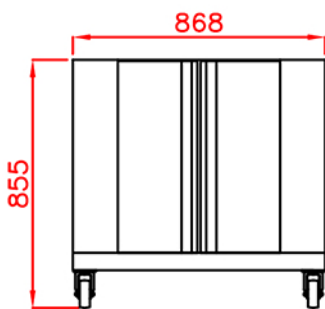
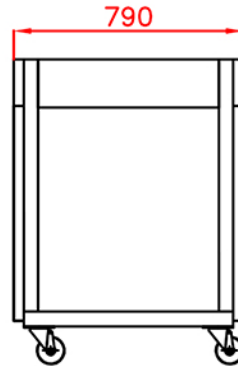
Side view



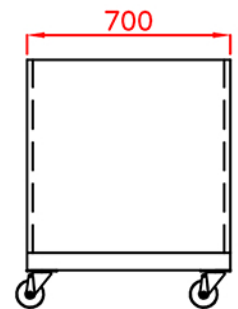
Top view



Heated
base
cabinet
(Option)



Supporting
cupboard
(Option)



Option : Band with illuminated sign

STANDARD FIXTURES

- STD FINISH : Stainless Steel
- 8 chicken Baskets
- 2 tempered glass doors (K.Glass)
- Drip pan
- Protectives parables steel removable

SPECIFICATIONS

Electricity	6.4 KW tri /400 VOLTS - 3 phase / 50-60 HERTZ
Capacity	24/32 CHICKENS
Warranty	1 year
Venting	Hood installed conformly with all local codes
Minimum clearance	65 mm on the right, left and rear side

