



Electrolux
PROFESSIONAL

INDUSTRY
KITCHENS

www.industrykitchens.com.au 1800 611 058

Electrolux Professional



Perfect for small businesses such as

- Small hotels and bed & breakfasts
- Small restaurants
- Hairdressing and beauty salons
- Sport and fitness clubs
- Office cleaning companies
- Out-of-home resident services
- Restaurant chains/franchise and more

The Smart Professional Washer with A+++

myPRO Smart Professional Washer

Especially designed for small businesses.

The machine with a Professional heart and a Green soul, on a sensible budget, boasting benefits from a professional design.

Benefits and features

- ▶ **Superb capacity and performance:**
 - Process all laundry in one go thanks to generous 8 kg capacity
 - Best wash results and garment care due to unique professional drum with 4.5 mm holes for efficient evacuation of debris (standard 2.2 mm)
 - Save money and energy: the Smart Professional Washer with A+++
 - Time and cost savings in drying with moisture extraction at 1,400 rpm
- ▶ **Up to 50% faster¹ and easy to use:**
 - Meet every need with professional programs, from energy-efficient and mild to disinfection and mop programs
 - Save time: normal 60 °C programs take 82 minutes (starting with cold water at 15 °C)
 - Reduce cycle time by an extra 12 minutes by using the hot water inlet
 - Flexible installation thanks to smart drain pump configuration
- ▶ **Triple the lifetime²:**
 - Extra long lifetime due to durable construction with professional components
 - Less vibration thanks to highly effective shock absorbance system and optimally balanced components and panelling
 - No chemical corrosion: stainless steel front and top
 - Trouble-free operation due to gravity drain valve model for the most demanding applications²

¹ Compared to domestic machines

² Life facility management and elderly care

Accessories

- ▶ Pedestal
- ▶ Stacking kit

Option

- ▶ External dosing system
- ▶ Marine kit

Main specifications at a glance

| | |
|----------------------------|------|
| Washing capacity, kg | 8 |
| Drum volume, l | 67 |
| Energy efficiency class | A+++ |
| Energy efficiency index, % | > 36 |

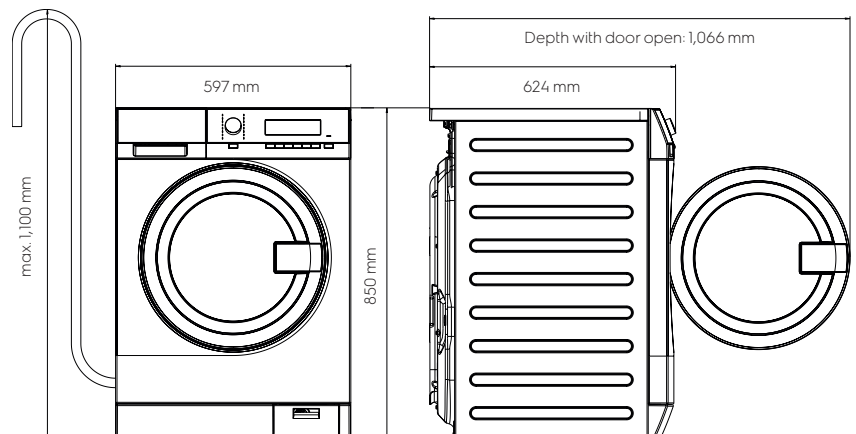
Consumption data

Program standard, cotton 60 °C, full load

| | |
|--|-----|
| Total time, min./cycle (hot water inlet) | 70 |
| Energy consumption, kWh | 0.7 |
| Water consumption (cold), l | 65 |

Dimensions

WE170P/V



myPRO Smart Professional Washer

Specifications WE170P/V

| | |
|-------------------------------|---|
| Spin speed, rpm (G-factor) | 1,400 (536) |
| Washing noise level, dB(A) | 49 |
| Spinning noise level, dB(A) | 75 |
| Electrical connection, V/Hz/W | 230 - 240 / 50 - 60/2000 |
| Cabinet, top and front | Stainless steel |
| Display | Large LCD |
| Drum design | Professional drum with 4.5 mm holes |
| Drum light | Yes |
| Detergent compartments | 3 |
| Door lock device | Pull to open with child safety (can be opened from inside applying 70N) |
| Water inlet | Hot & cold |
| Draining system | Drain pump / Drain valve |
| Levelling feet | 4 adjustable feet (adjustable by 15mm) |

Programs

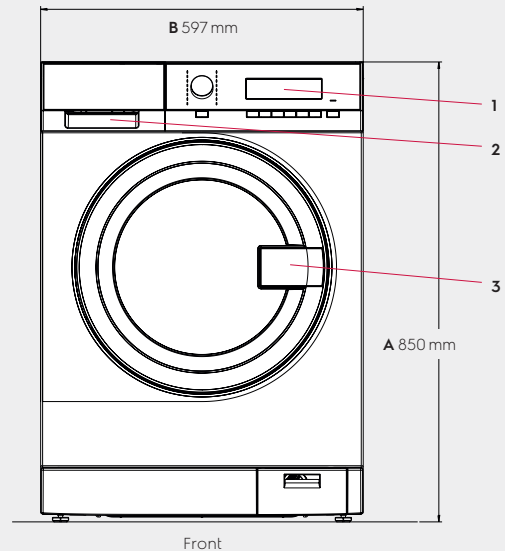
| | |
|---|---|
| Number of programs | 16 |
| Eco 40, 60 (A+++)/ Normal 20, 40, 60, 95 Mild 30, 40, 60 / Handwash / Mop 60, 85 / Rinse & Spin Disinfection 60, 70, 80 | |
| Number of additional functions | 6 |
| Pre rinse / Pre wash / Extra rinse / Spin time No softener / Delay start | |
| Program proportionality | Whether full or non-full load: the machine adapts |

Special features

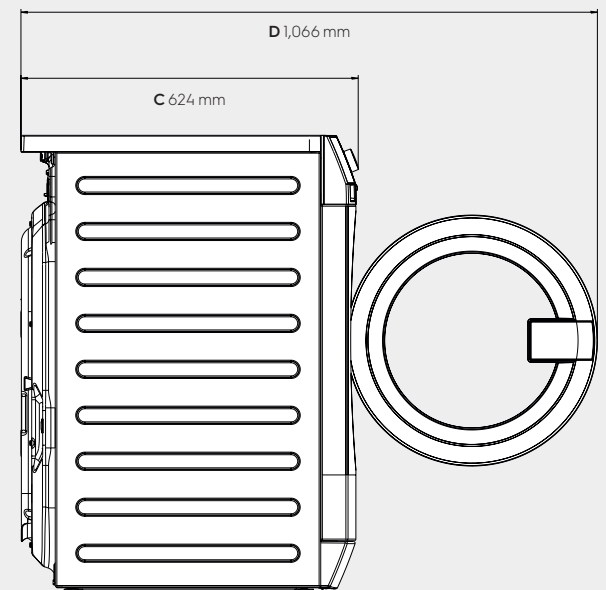
| | |
|------------------------|-----------|
| Pedestal | Accessory |
| Stacking kit | Accessory |
| External dosing system | Optional |
| Marine kit | Optional |

Dimensions including the door frame

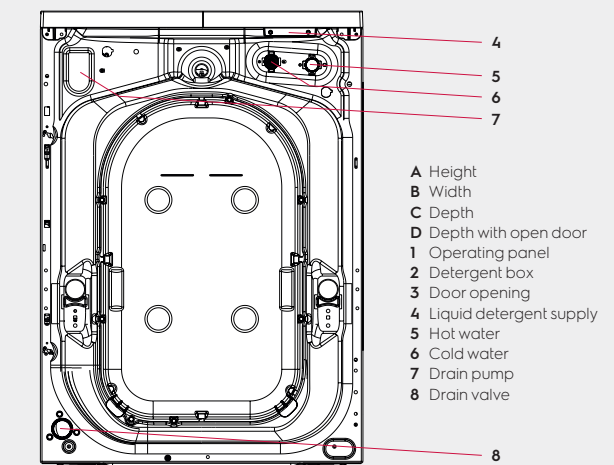
| | |
|-----------------------------|-----------|
| Height (A), mm | 850 |
| Width (B), mm | 597 |
| Depth (C), mm | 624 |
| Packaging height, mm | 900 |
| Packaging width, mm | 630 |
| Packaging depth, mm | 701 |
| Weight (with packaging), kg | 80.5 (82) |



Front



Right side



Rear side

We reserve the right to alter specifications without notice.