



MXG SK90W-2

Skid Steer Loader



Air Conditioning
4-in-1 Bucket (with bucket teeth)
Joystick controller
Reverse Camera
ROPS and FOPS

Engine Model: KUBOTA V3600-T-E3B
Power: 63kW/85HP 2600rpm
Operating Weight: 3,500kg
Bucket Capacity: 0.54m³

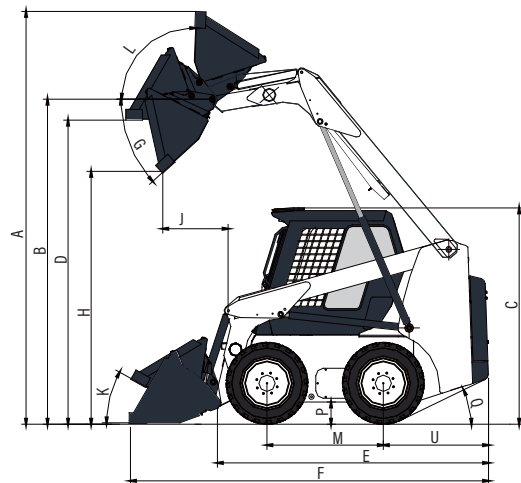
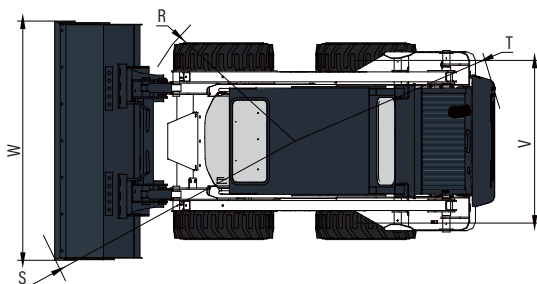
Let's make construction easier

SK90W-2 SPECIFICATIONS

	UNIT	SK90W
MAIN SPECIFICATION		
Engine Model		KUBOTA V3600-T-E3B
Emission Standard		EPA/CARB Tier 3 + EU Stage IIIA
Rated Power	kW/rpm	63/2600
Operating Weight	kg	3500
Rated Payload	kg	1230
Bucket Capacity	m ³	0.54
LxWxH	mm	3460x1820x2000
ENGINE SYSTEM		
Engine Model		KUBOTA V3600-T-E3B
Rated Power	kW/hp\rpm	63/85/2600
Displacement	L	3.620
Stroke	mm	98
Bore	mm	120
WEIGHTS		
Operating Weight	kg	3500
POWER TRAIN		
Travel Speed -F&R(unload)	km/h	11.8
TIRE		
Tyre		12x16.5
HYDRAULIC SYSTEM		
Hydraulic Flow - Standard	L/min/rpm	91
Loader Hydraulic Pressure	MPa	21
Hydraulic Flow - High Flow	L/min/rpm	135
Loader Hydraulic Pressure	MPa	19
OPERATING SPEC		
Rated Payload	kg	1230
Tipping Load	kg	2460
Breakout Force	kN	28.06
Traction Force	kN	25.9

SERVICE REFILL CAPACITY		
Chain Box, Each Side	L	9
Cooling System	L	12
Engine Crankcase	L	9
Fuel Tank	L	91
Hydraulic Tank	L	65

DIMENSIONS			
		UNIT	SK90W
A	Max.Operation Height	mm	3880
B	Bucket Pin Height	mm	3060
C	Cab Roof Height	mm	2000
D	Max.Height at Bucket Leveled	mm	2870
E	Length without Attachment	mm	2530
F	Length with Standard Bucket	mm	3460
H	Dumping Height	mm	2440
J	Reach Rollback	mm	610
M	Wheelbase	mm	1080
P	Ground Clearance	mm	180
R	Front Turning Radius without Attachment	mm	1180
S	Front Turning Radius	mm	2050
T	Rear Turning Radius	mm	1580
U	Tail Length	mm	980
V	Center Distance between Two Wheels	mm	1320
W	Bucket Width	mm	1820
G	Dumping Angle at Max.Height	°	40
K	Bucket Angle on Ground	°	29
L	Bucket Rollback Angle At Max.Height	°	96
Q	Start Angle	°	28



* THE SPECIFICATIONS ARE SUBJECT TO CHANGE WITHOUT NOTICE. THE PICTURES MAY INCLUDE OPTIONS. THE ACTUAL COLOR & APPEARANCE OF THE PRODUCT MAY DIFFER FROM WHAT IS SHOWN.

Melbourne:
10-14 Citrus St, Braeside VIC 3195
Sydney:
293 Parramatta Rd, Auburn NSW 2144

Website: www.mxg.com.au
Phone: 1800 834 611
Email: Info@mxg.com.au