



Model: PR30-BC50DPR

Features

Diffuse reflection working principle;

Excellent anti-interference performance

High detection accuracy

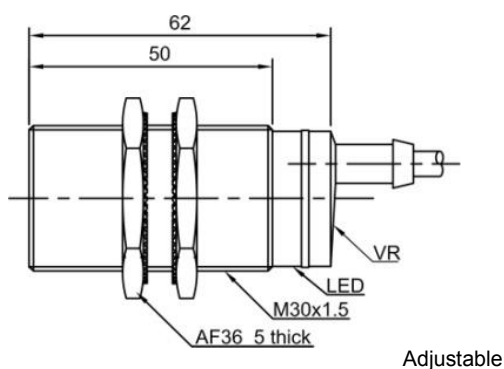
Part Number

NPN NO	PR30-BC50DNO	PR30-BC100DNO	PNP NO	PR30-BC50DPO	PR30-BC100DPO
NPN NC	PR30-BC50DNC	PR30-BC100DNC	PNP NC	PR30-BC50DPC	PR30-BC100DPC
NPN NO+NC	PR30-BC50DNR	PR30-BC100DNR	PNP NO+NC	PR30-BC50DPR	PR30-BC100DPR

Technical Specifications

Detection type	Diffuse reflection	Consumption Current	≤25mA
Reted Distance[Sn]	50cm (adjustable) 100cm (adjustable)	Circuit Protection	Short-circuit and reverse polarity
Standard target	White card reflection rate 90%	Response time	< 8.2ms
Light source	Infrared LED (880nm)	Output indicator	Yellow LED
Dimensions	M30*62mm	Ambient temperature	-15°C...+55°C
Output	NO/NC (depends on part No.)	Ambient humidity	35-85%RH (non-condensing)
Supply voltage	10...30 VDC	Voltage Withstand	1000V/AC 50/60Hz 60s
Target	Opaque object	Insulation Resistance	≥50MΩ(500VDC)
Hysteresis Range[%/Sr]	3...20%	Vibration Resistance	10...50Hz(0.5mm)
Repeat Accuracy[R]	≤5%	Degree of Protection	IP67
Load Current	≤200mA	Housing Material	Nickel-copper alloy
Residual Voltage	≤2.5V	Connection Type	2m PVC cable

Dimensions



Wiring Diagram

