

# WATER SUPPLY & PRESSURE PUMPS

## Variable Speed Horizontal Multistage Pumps

### HM-VSD SERIES

HM3-5-E1



EURO RANGE



### DESCRIPTION

The HM Series are variable speed drive Stainless steel multistage horizontal pumps. Designed for pumping clean non-loaded fluids for pressurising systems; irrigation; drinking and glycol water; water treatment; heating and air conditioning; washing systems.

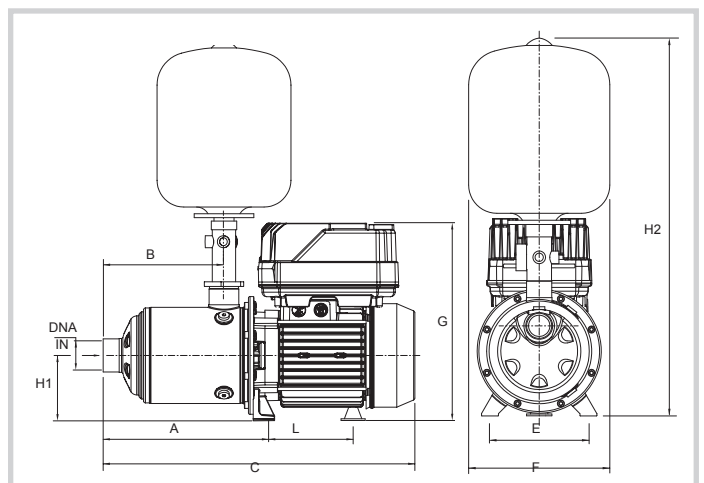
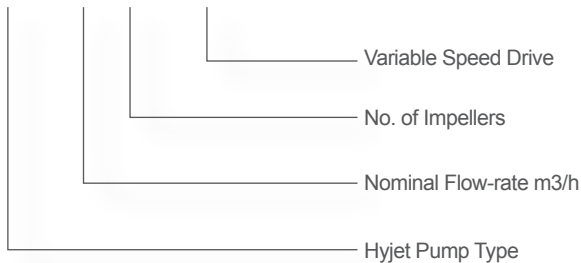
The HM Series are at the pinnacle of quality and innovation, driven by the E1 EPIC Variable Speed Drive, efficient to run and all manufactured in Italy.

### CONSTRUCTION FEATURES

- Pump Body: Stainless Steel AISI304
- Impeller: Stainless Steel AISI304
- Mechanical Seal: Ceramic / Graphite
- Max Liquid Temperature: +/- 110c
- Max Operating Pressure: 8.5 bar
- Motor: 2 Pole Induction
- w/ Thermal Protection
- Insulation: Class F
- Protection: IP44

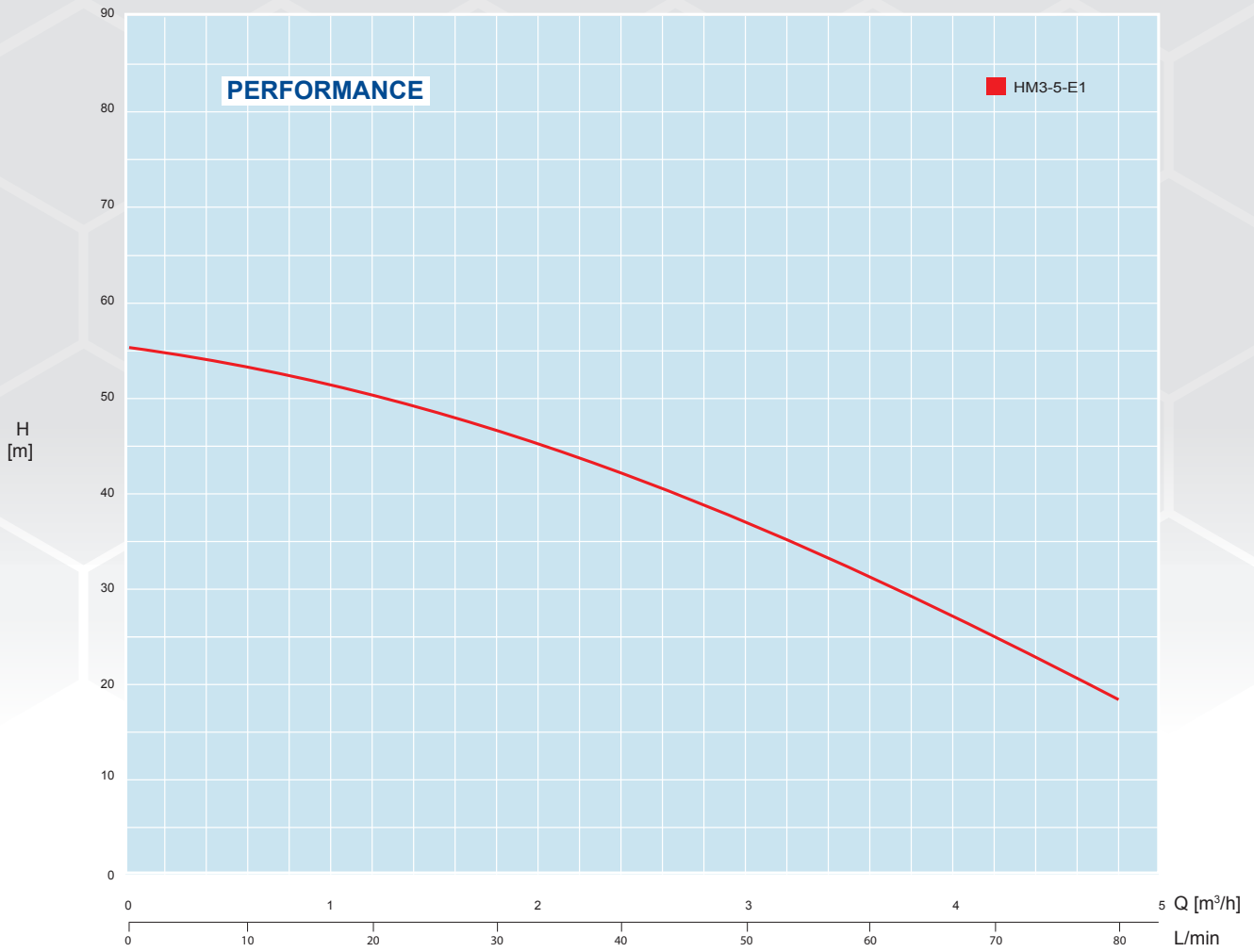
## IDENTIFICATION CODES

### HM 3-5-E1



### DIMENSIONS

MODEL	DIMENSIONS (mm)										Kg	DNA	DNM
	A	B	C	D	E	F	G	L	H1	H2			
HM3-5-E1	214.8	151	404	164	140	200	280	104.7	128	535	16.0	25mm	25mm
HM7-5-E1	214.8	151	436	164	140	200	293	128.2	98	540	21.3	32mm	25mm
HM9-5-E1	245.8	178	464	164	140	200	293	128.2	98	568	21.7	40mm	32mm



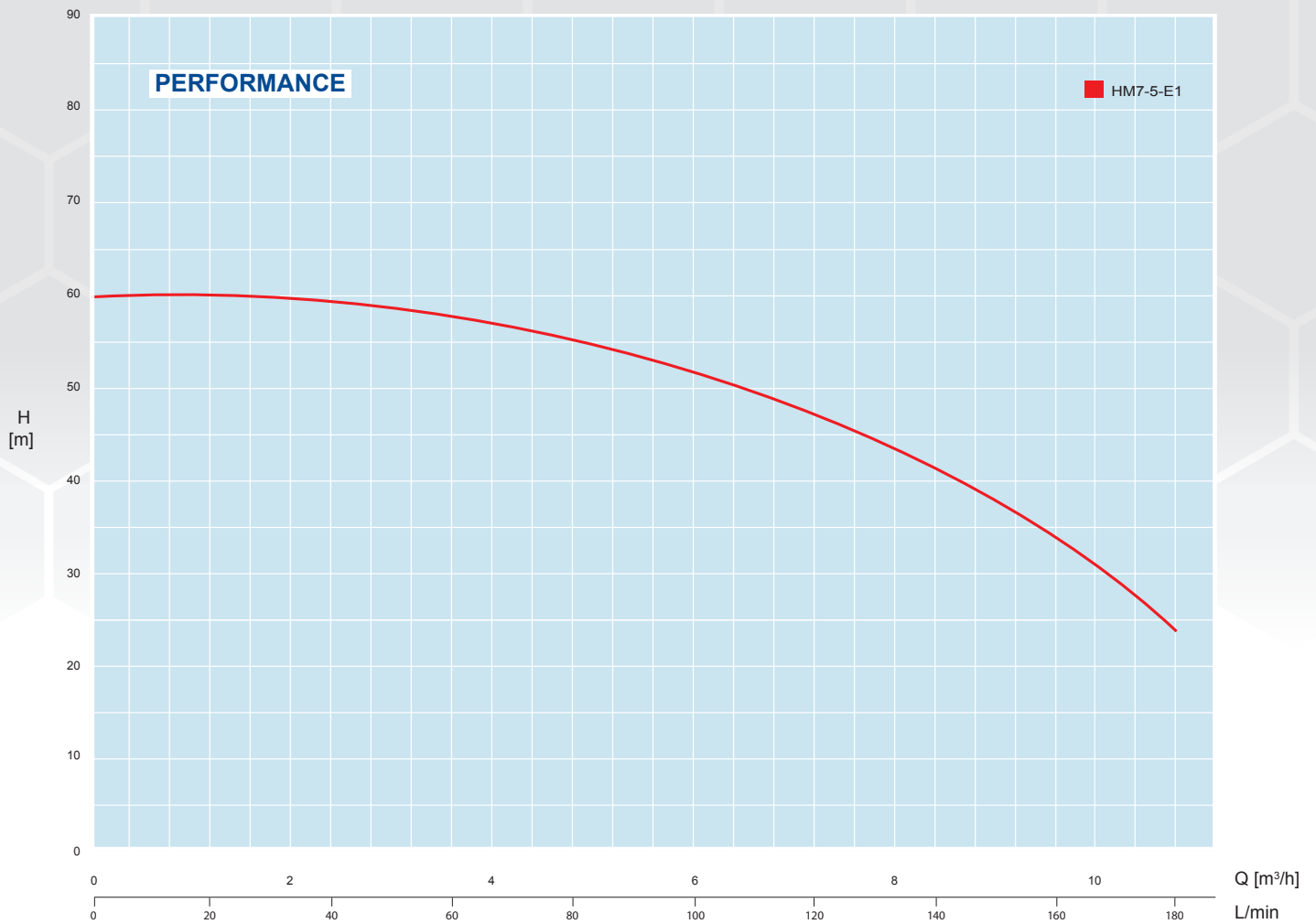
## TECHNICAL DATA

Type	P2		Ampere	Q (m³/h - l/min)						
				0	10	20	30	40	60	80
1~	(HP) (kW)		1~	0	10	20	30	40	60	80
			1x230V 50 Hz	0	10	20	30	40	60	80
HM3-5-E1	1	0.75	4.8	55.3	53.5	50.3	40.8	36	25.4	14

# WATER SUPPLY & PRESSURE PUMPS

## Variable Speed Horizontal Multistage Pumps

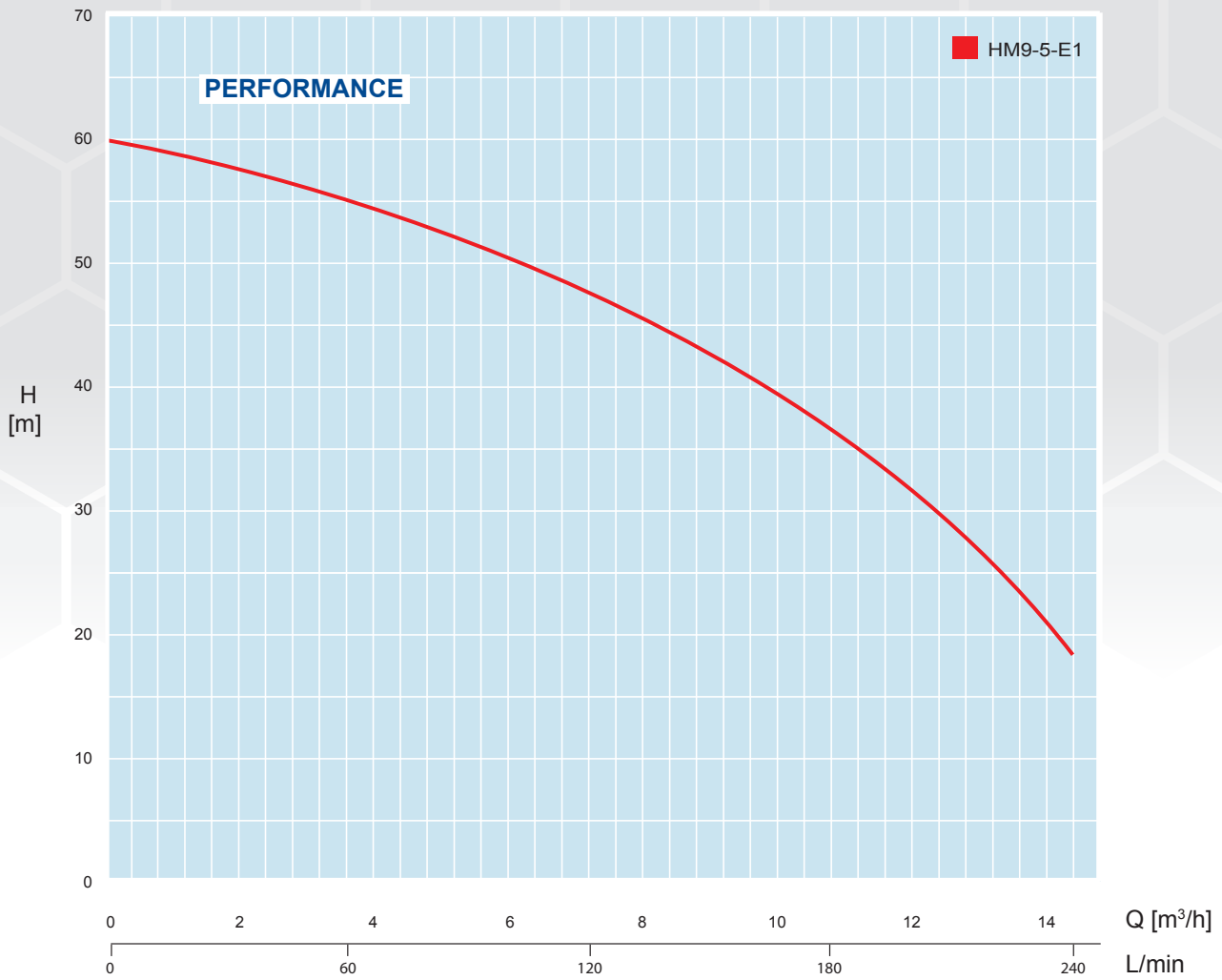
### HM7-5-E1



### TECHNICAL DATA

Type	P2		Ampere	Q (L-min)								
				0	40	60	80	100	120	140	160	170
	(HP)	(kW)	230V/50Hz									
HM7-5-E1	2.5	1.85	10.9	60.3	59	58.2	55.7	52	47.4	41.3	33.5	22

# HM9-5-E1



## TECHNICAL DATA

Type	P2		Ampere 230V/50Hz	Q (L-min)										
	(HP)	(kW)		0	60	80	100	120	140	160	180	200	220	240
<b>HM9-5-E1</b>	2.5	1.85	10.9	60	54.8	53	51	48.2	45.4	42	37.3	31.6	25	18

# HM – H MV VARIABLE SPEED DRIVE PACKAGED PUMP SETS



## APPLICATION

Water Pressure boosters  
Rainwater re-use systems  
Irrigation Pump sets.

## FEATURES

- E Series Variable Speed Drive Controllers
- Maximum Efficiency
- Danfoss Pressure Transducers
- 240 Volt or 415 Volt Pumps
- Water Pumps Made in Italy
- Stainless Steel 304 Manifolds
- Ball Valves, Check Valves and all associated fittings Included

## SYSTEM OPTIONS

- Single, Dual or Triple Pumps
- Horizontal or Vertical Multistage Pumps
- Rain/Mains Controller
- Back wash screen filter (Automatic or Manual)
- Cartridge Filters 5-20 micron
- Bag Filters 5-20 micron up to 3-inch connections
- UV Disinfection Filters
- Pressure Accumulator tanks
- Suction Strainer
- Tank Level Float
- Alucobond or Steel Enclosures
- Galvanised or Stainless Steel Base Plate



Contact our sales team with your specifications - email: [sales@maxijet.com.au](mailto:sales@maxijet.com.au)