



Modular bin trailer

(3 BIN MODEL)

Assembly instruction manual

Modular Bin Trailer—Assembly Instruction Manual OM0022E

This manual contains important assembly instructions for this unit. Read this manual thoroughly and completely.

Any damage audible or visible to this unit should be addressed at the time of discovery. Electrodrive Pty Ltd can provide parts and service support on request through its service partner company:

Serviced Equipment Pty Ltd

p: 1300 934 471

e: service@fallshaw.com.au

Made in Australia by:

Electrodrive Pty Ltd

2A Ayton Street, Sunshine North VIC Australia 3020

p: 1300 934 471 (within Australia)

p: +61 (03) 9300 8521 (International)

e: sales@electrodrive.com.au

w: www.electrodrive.com.au

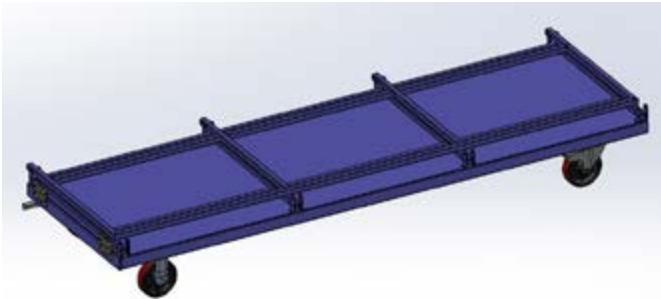
© Electrodrive

Introduction

This Modular Bin Trailer comes flat-packed with its sides 50% pre-assembled.

The remaining nuts and bolts will be supplied in a sealed bag.

Please follow the assembly instructions carefully.



The flat-packed unit with two sides folded down.

Tools required:

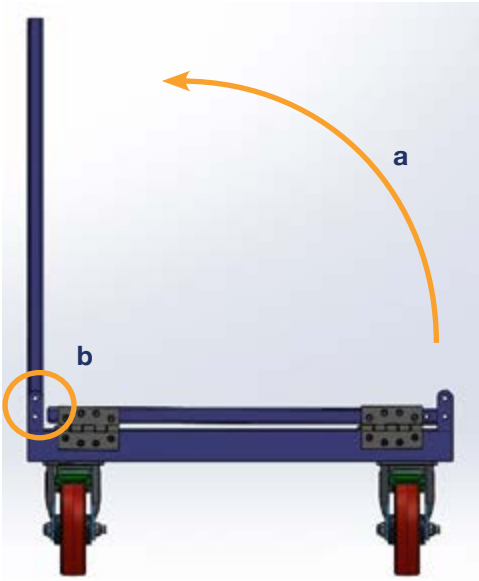
- 10 mm spanner
- 13 mm spanner.
- Allen key set.
- Adjustable spanners x2 (maximum opening of 17 mm).



Warning:

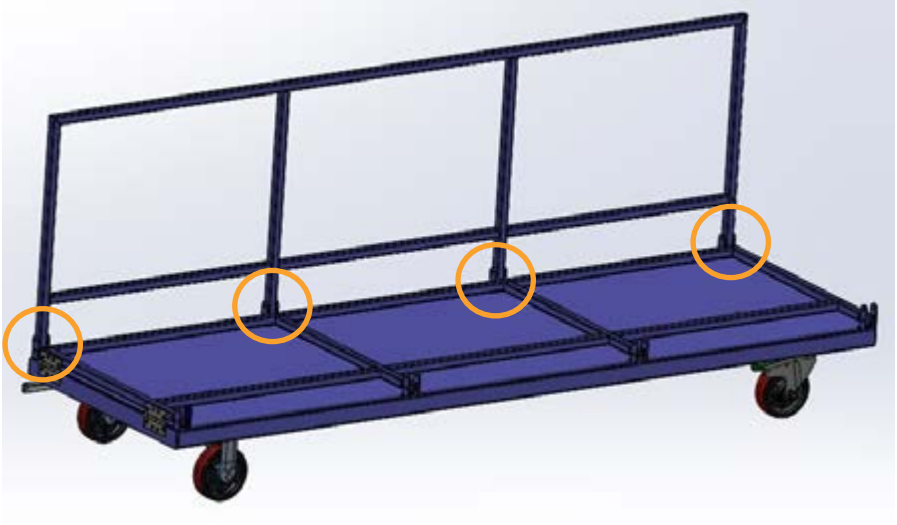
Do not tighten the screws before assembling all the components.

Do not over-tighten the screws.



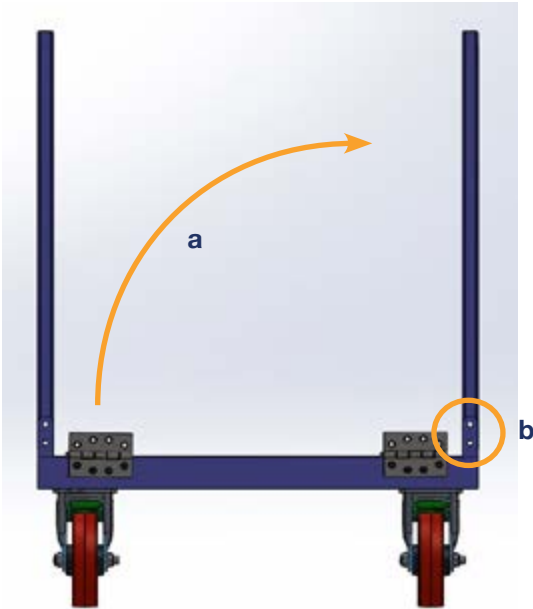
Step 1

- a. Lift the first side vertically.
- b. Use the four M8 bolts to clamp into place.



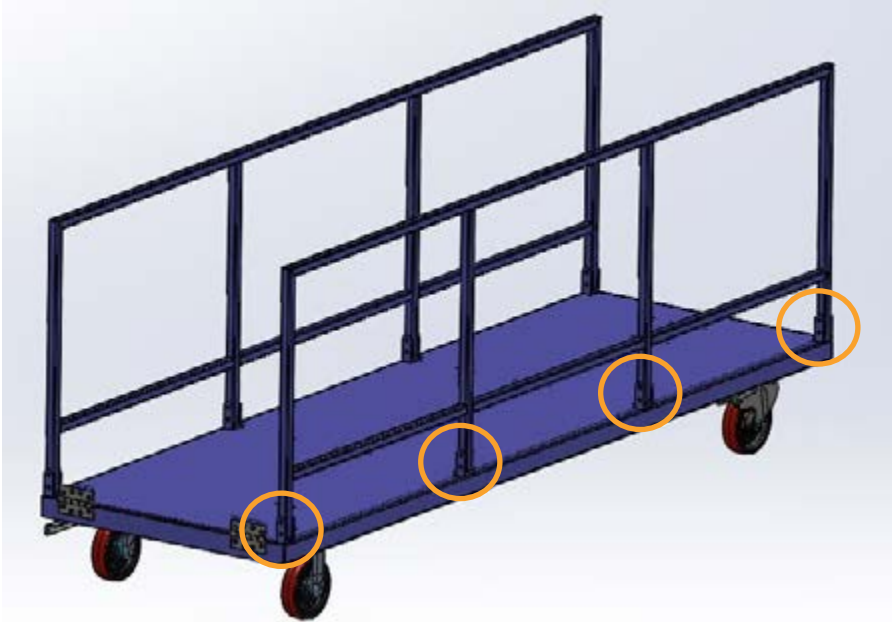
Step 2

Using the 13 mm spanner and shifter, assemble the nuts and bolts (as shown in the four circled locations in the diagram above).



Step 3

- a. Lift the second side vertically.
- b. Assemble using the M8 bolts.



Step 4

Using the 13 mm spanner and shifter, assemble the four nuts and bolts (as shown in the four circled locations in the diagram above).



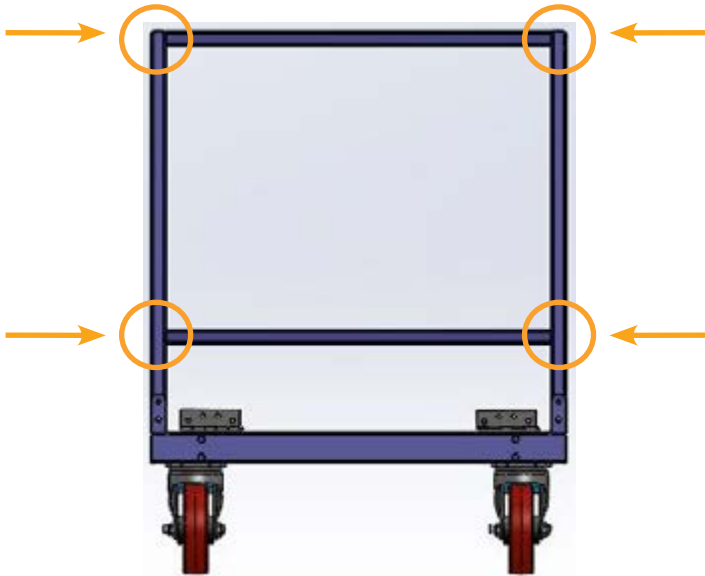
Step 5

Assemble the cross bar between first and second side top and bottom. Make sure to leave enough slack to assemble the second cross bar.

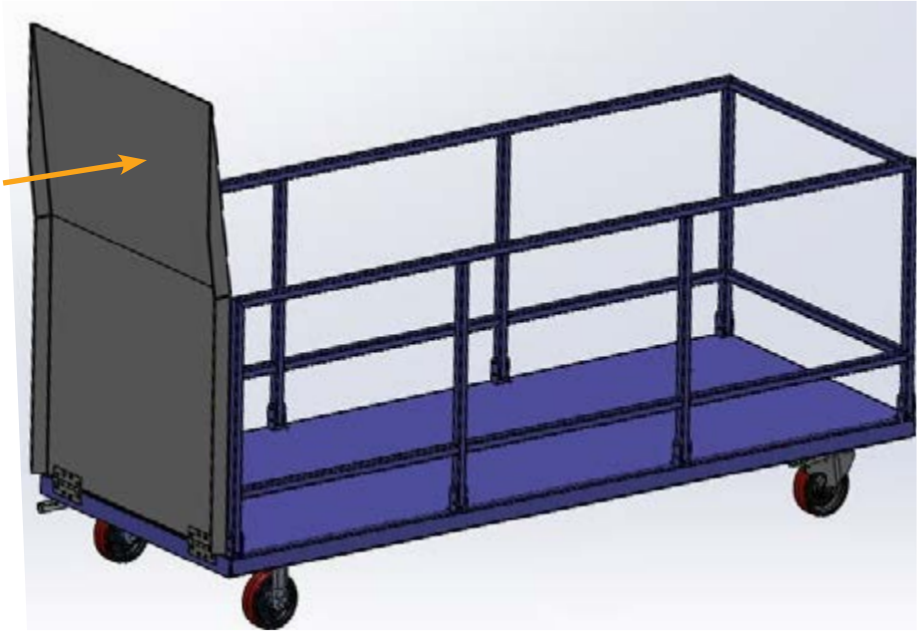


Please note:

Ensure you use the correct orientation for this cross bar.



Using the supplied M8 bolts, assemble these areas (shown in the four circled locations in the diagram above).



Step 6

Assemble the ramp using the Allen keys and shifter.

You will need:

- Screws (x 8)
- Nuts (x 8)



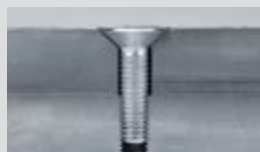
The unit comes with hinges assembled on to the base (as shown in the circled locations in the diagram above).

- Use the supplied countersunk screws to assemble the ramp to the hinge.
- Use the pre-assembled rubber locks to keep it secure.



Please note:

Make sure to use the right side of the countersunk screws for assembly.





Step 7

Assemble the draw bar using the two M10 bolts and nuts supplied with the base.



Please note:

Use the three washers in between the bracket and drawbar to avoid rubbing.



Step 8

- Assemble the gas struts.
These gas struts have one side fitted to the ramp. The other side of the gas strut is pre-fitted to the base frame.
- Align the hole of the gas strut to the round head of the bolt.
- Press on the gas spring to the bolt (shown in the picture above).



Final step

Press in the gas struts on to the frame bolts (as shown in the circled locations in the diagram above).

Please note:

Once you have finished fitting all the parts, make sure to tighten all of the bolts.

Mobility solutions to help you push, pull & lift with ease.

www.electrodrive.com.au