



**ItalianGelato**  
Concepts  
*dessert projects & equipment supply*

**BRX  
POZZETTI GELATO SPECIALISTS  
AND MUCH MORE**

**BRX**

**"VISTA" LINE**

**POZZETTI GELATO & BAR TECHNOLOGY**



**“VISTA”**

**THE NEW SOLUTION  
FOR THE PROFESSIONALS OF  
ICE CREAM AND PASTRY**

**POZZETTI GELATO & BAR TECHNOLOGY**

**BRX**



## “VISTA” LINE

- 1 ICE CREAM
- 2 FREEZER ( FOR ICE CREAM CAKES AND STICKS )
- 3 VENTILATED PASTRY
- 4 DUAL FUNCTION ( VENTILATED PASTRY/PRALINE )
- 5 DUAL FUNCTION ( VENTILATED PASTRY/DRY-HEAT )
- 6 DRY-HEAT



**BRX VISTA: GELATO REVOLUTION**

*VISTA is the evolution of the glycol pozzetti and at the same time it is the revolution of the traditional ice cream display case. All this is made possible thanks to its advanced refrigeration technology: **glycol + ventilated cooling***



OPTIMAL VISIBILITY AND INNOVATIVE PRESENTATION OF ICE CREAM

VISTA ICE CREAM

7 LT



THE LED LIGHTING PLACED UNDER THE TOP GLASS AND ON BOTH SIDES, ENHANCES THE ICE CREAM

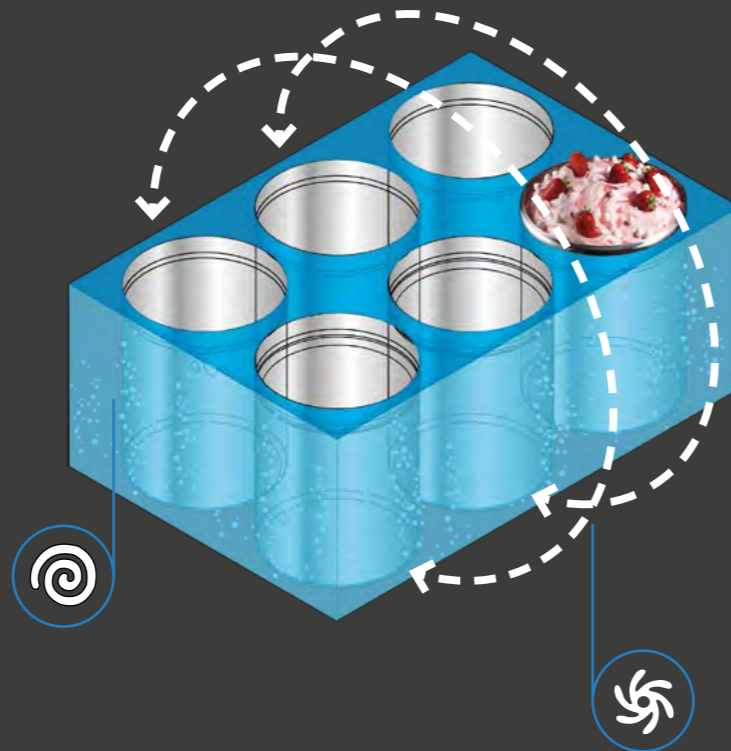
VISTA ICE CREAM TRIPLE ROW

4,5 LT



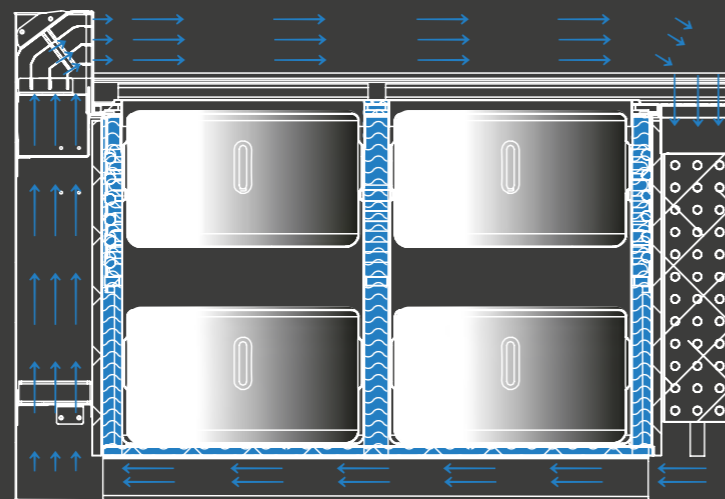
**ONE DISPLAY CASE TWO TECHNOLOGIES**

**GLYCOL COOLING  
+ VENTILATED COOLING**



**ADVANCED REFRIGERATION TECHNOLOGY**

*the perfect synergy between the glycol and the ventilated cooling, thanks to two dedicated condensing units, makes it possible to showcase the ice cream without lids*

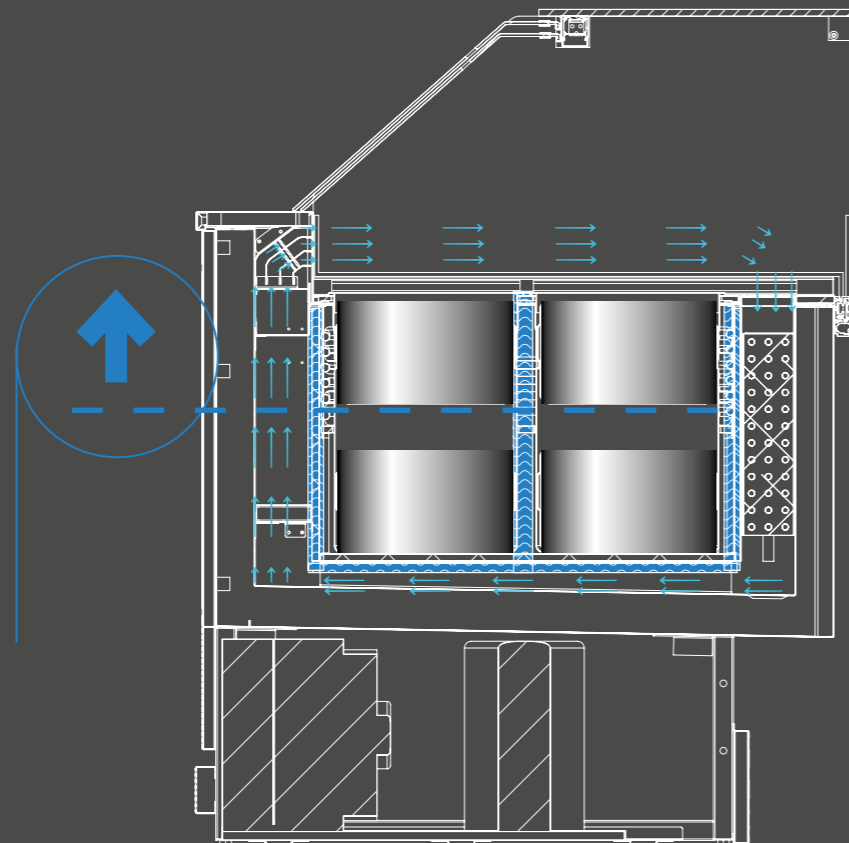


**THE ICE CREAM IS ALWAYS KEPT SAFE**

*VISTA is equipped with two independent condensing units which work in synergy, making it possible to keep on serving ice cream and storing it in the event of a failure of one of the two units. Furthermore, in the event of a power cut, just use the display case as a classic pozzetti lowering the carapina pans and restoring the lids; the glycol will keep the ice cream safe for several hours*

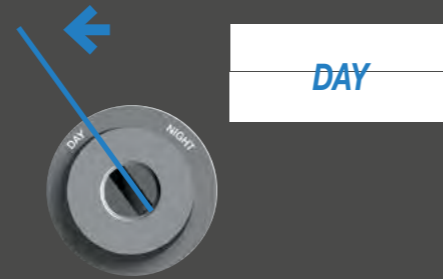
**ONE DISPLAY CASE TWO MODES**

VISTA stands out for a large storage capacity being the carapina pans placed one over the other on two layers: upper layer for service and second one for storage

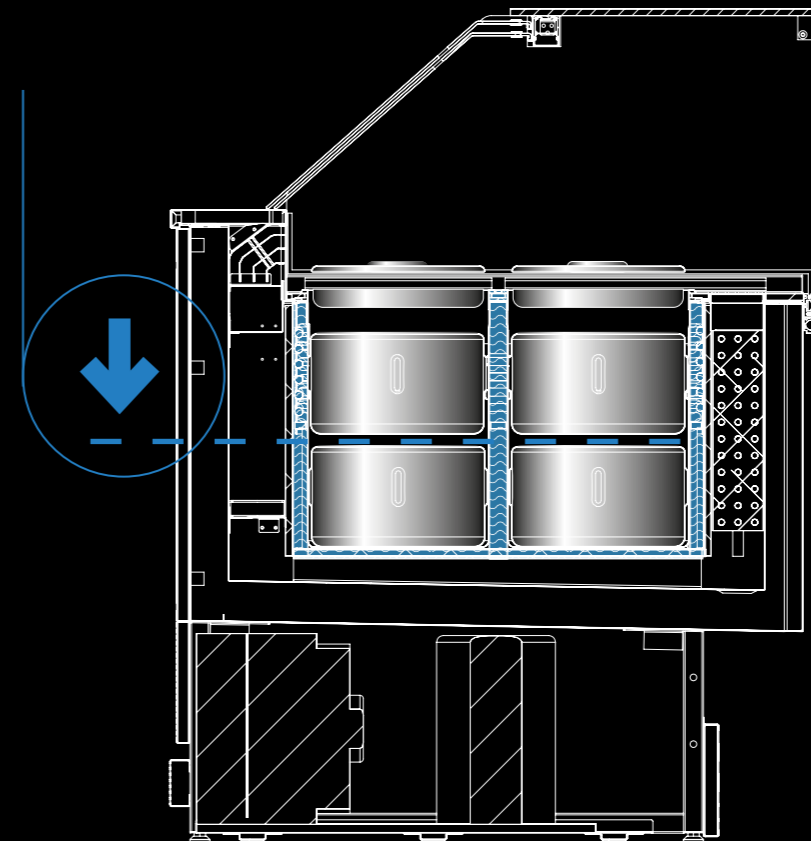


DAYTIME THE ICE CREAM IS VISIBLE

**DAY MODE**  
VISTA is a glycol pozzetti display case but without lids and with an exceptional visibility of ice cream



**NO NEED TO REMOVE THE ICE CREAM**



**NIGHT MODE**  
VISTA is also a STORAGE FREEZER for the night. Unlike a traditional ice cream display case where the pans are removed, in VISTA the carapina pans are placed into a low position and the lids are restored. The ventilated system is turned off and the glycol keeps the ice cream fresh for the day after, making it possible to save money, time and space



LOWER



COVER

THE ICE CREAM IS STORED OVER THE NIGHT FOR THE DAY AFTER

**A RANGE FROM 6 TO 20 FLAVORS**

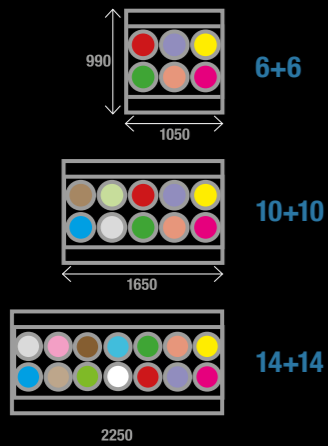
AVAILABLE IN THREE HEIGHTS  
1150, 1250, 1350 mm



L. 1050 mm - 6 FLAVORS + 6 STORAGE



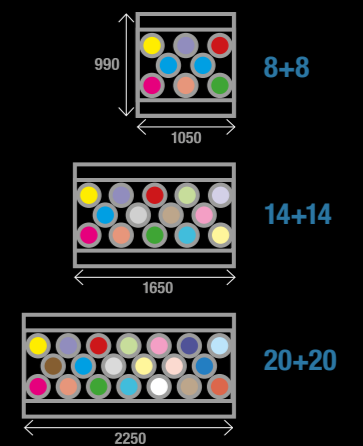
L. 1050 mm - 8 FLAVORS + 8 STORAGE



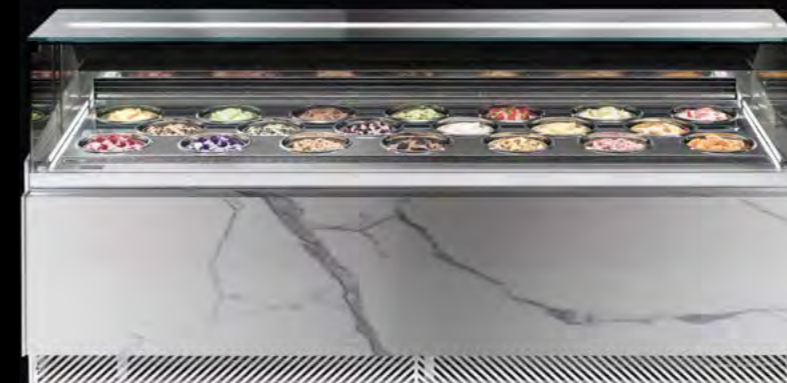
L. 1650 mm - 10 FLAVORS + 10 STORAGE



L. 1650 mm - 14 FLAVORS + 14 STORAGE



L. 2250 mm - 14 FLAVORS + 14 STORAGE



L. 2250 mm - 20 FLAVORS + 20 STORAGE





## ONE DISPLAY CASE TWO FUNCTIONS



**A VERSATILE DISPLAY CASE**  
at any time the display case can be turned into a **PASTRY CHILLER**  
for a use 365 days a year, 24 hours per day

NIGHT MODE



**FROM ICE CREAM TO PASTRY CHILLER**  
by using the glycol technology only (display case in night mode) and  
adding display decks in stainless steel. The glycol enables to  
showcase pastry products, saving energy too

**A DESIGN FOR ANY LOCATION**



**VISTA DESIGN FLAT**

**DECORATIVE PANEL: MELAMINE, LACQUERED OR CERAMIC SURFACE  
(AVAILABLE IN DIFFERENT FINISHES AND COLORS)**

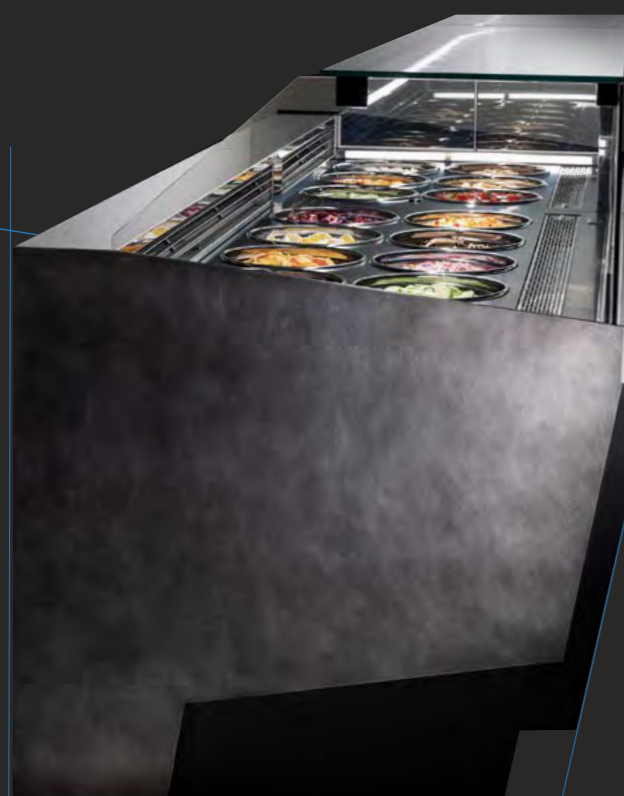
**SIDE PANELS: HPL**

**DISPLAY DECK: WHITE/BLACK HPL OR STAINLESS STEEL**



**FLAT**

**A DESIGN FOR ANY LOCATION**



**VISTA DESIGN ROCKS**

- \_ SLOPED DECORATIVE PANEL: LACQUERED OR CERAMIC SURFACE (AVAILABLE IN DIFFERENT FINISHES AND COLORS)
- \_ SIDE PANELS: HPL + METAL DECORATION
- \_ DISPLAY DECK: WHITE/BLACK HPL OR STAINLESS STEEL



SOME OTHER DESIGNS AVAILABLE

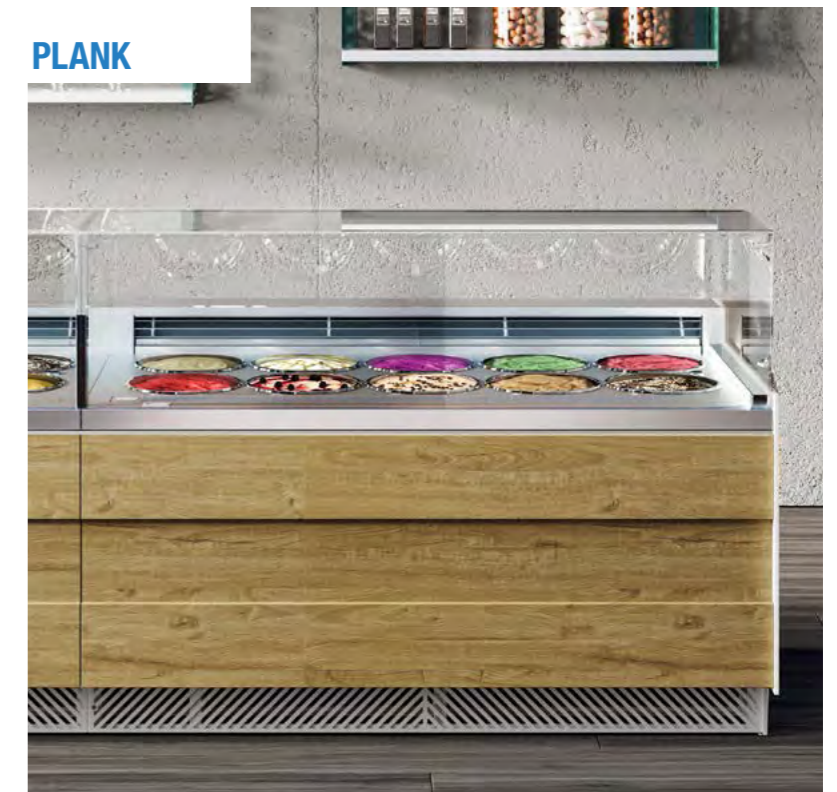
CLASSIC



INFINITY



PLANK



**FREEZER: FOR ICE CREAM CAKES AND STICKS**



**VENTILATED COOLING**



**VISTA FREEZER**  
*Possibility to showcase ice cream cakes and sticks  
or to combine them together  
in the same module.  
Display deck adjustable in 3 heights.  
Sticks holder in stainless steel*

**VENTILATED PASTRY, PRALINE**

*A FUNCTIONAL AND DESIGN DISPLAY CASE*



**VENTILATED COOLING**

**VENTILATED PASTRY, PRALINE**

VISTA is not ice cream display case only, it is also available in the following applications:

- VENTILATED PASTRY
- DUAL FUNCTION (PASTRY/ PRALINE)
- DUAL FUNCTION (PASTRY/ DRY-HEAT)
- DRY-HEAT

All Vista modules are available in three heights: 1150, 1250 and 1350 mm

Possibility to add undercounter refrigerator H. 500 mm.  
(Single condensing unit for display deck and undercounter refrigerator)



Cash counters available in three lengths  
500, 750 and 1000 mm



L. 300 + L. 1700

MULTIPLEXED DISPLAY CASES

GLASS OPENING

THE LED LIGHTING PLACED UNDER THE TOP GLASS, ON BOTH SIDES  
AND UNDER THE SHELVES, ENHANCES THE PRODUCTS SHOWCASED

**FREEZER + ICE CREAM + VENTILATED PASTRY**



**VISTA**  
**A WIDE AND FLEXIBLE PROJECT**

**VISTA MULTIPLEXED DISPLAY CASES**  
1\_ freezer display case  
2\_ ice cream display cases  
3\_ linear and corner pastry display cases

**ALL VISTA MODULES ARE COMPATIBLE AND THEREFORE THEY CAN BE MULTIPLEXED**



**VENTILATED PASTRY + ICE CREAM**

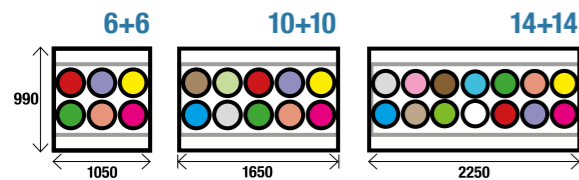
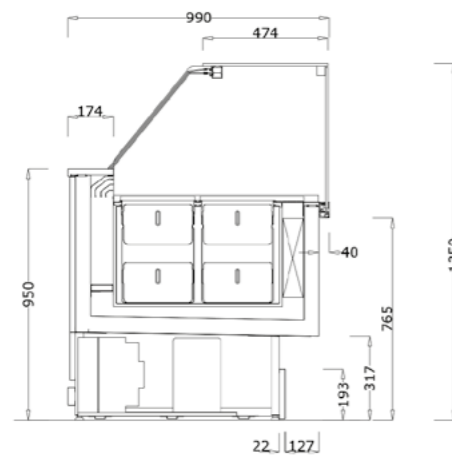
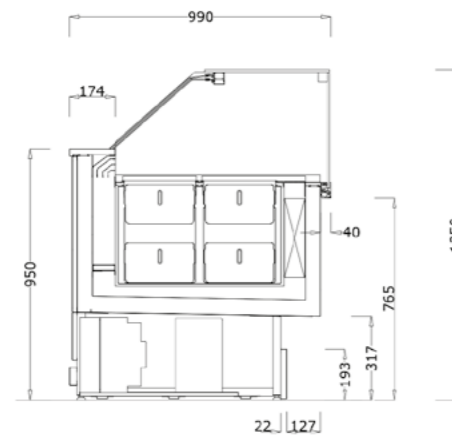
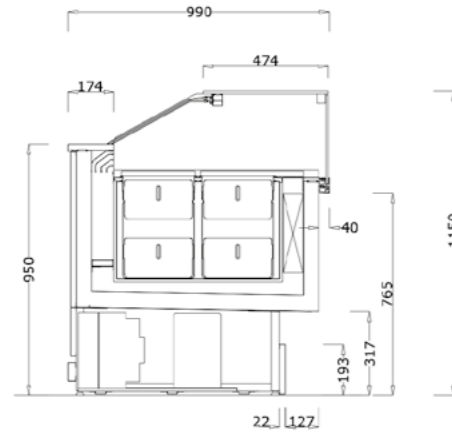
*THE PERFECT MATCHING*



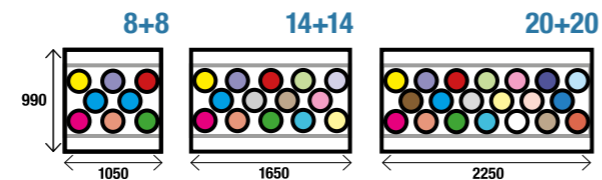
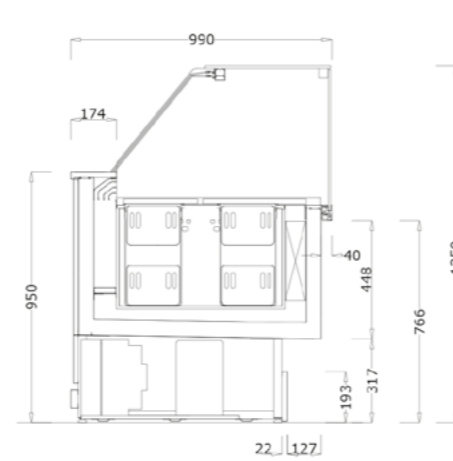
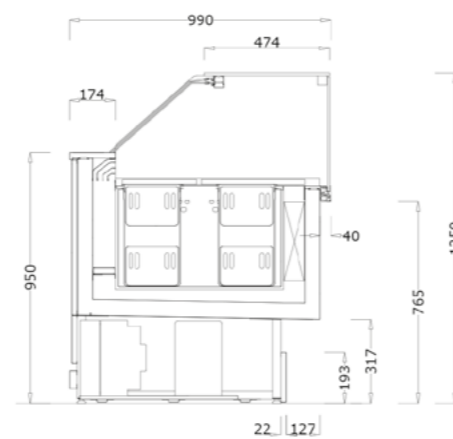
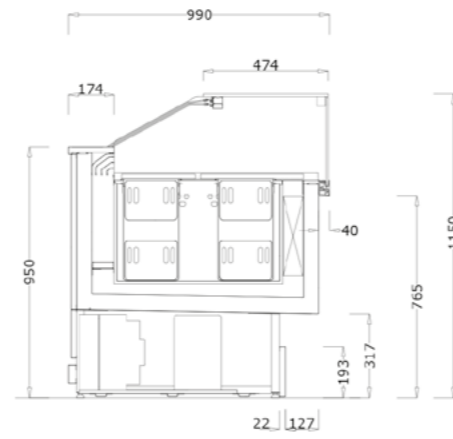
VISTA

1

**ICE CREAM**

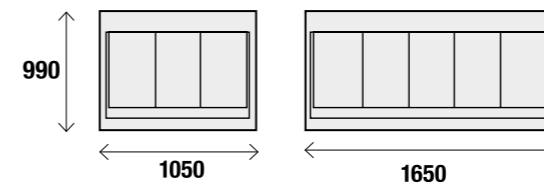
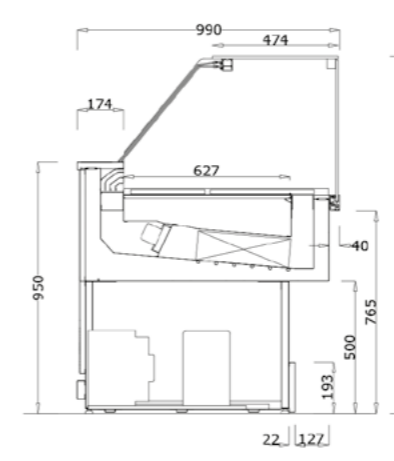
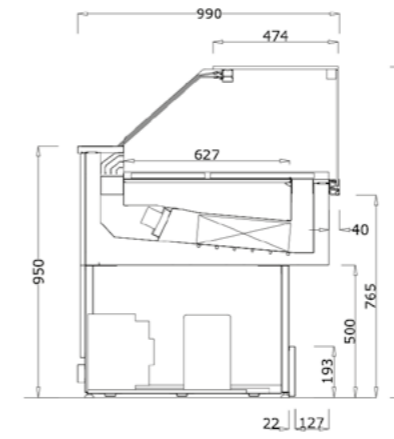
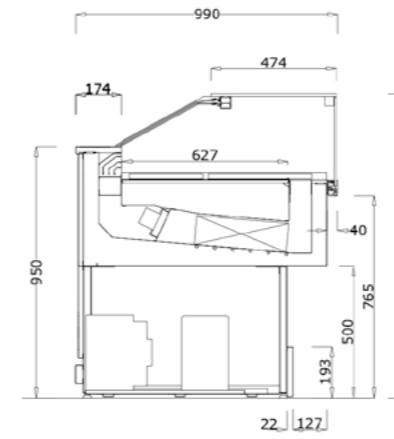


**ICE CREAM TRIPLE ROW**

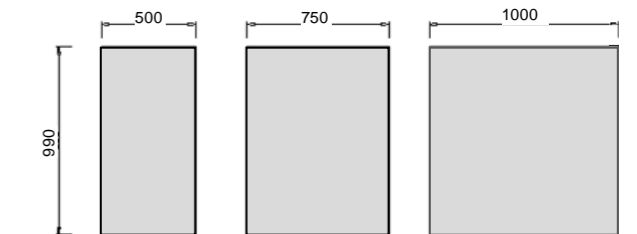
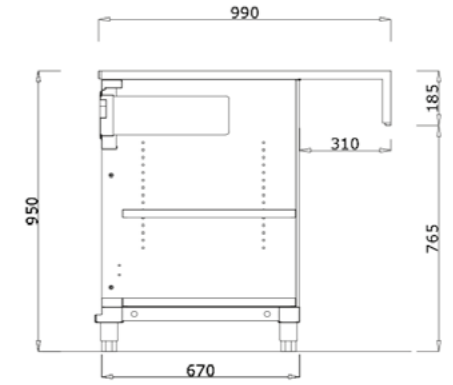


2

**FREEZER**



**CASH COUNTER**



**3**

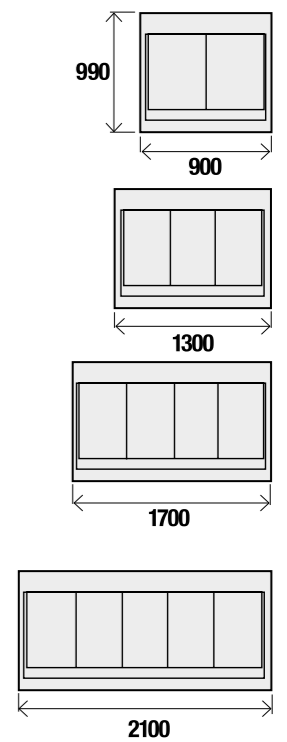
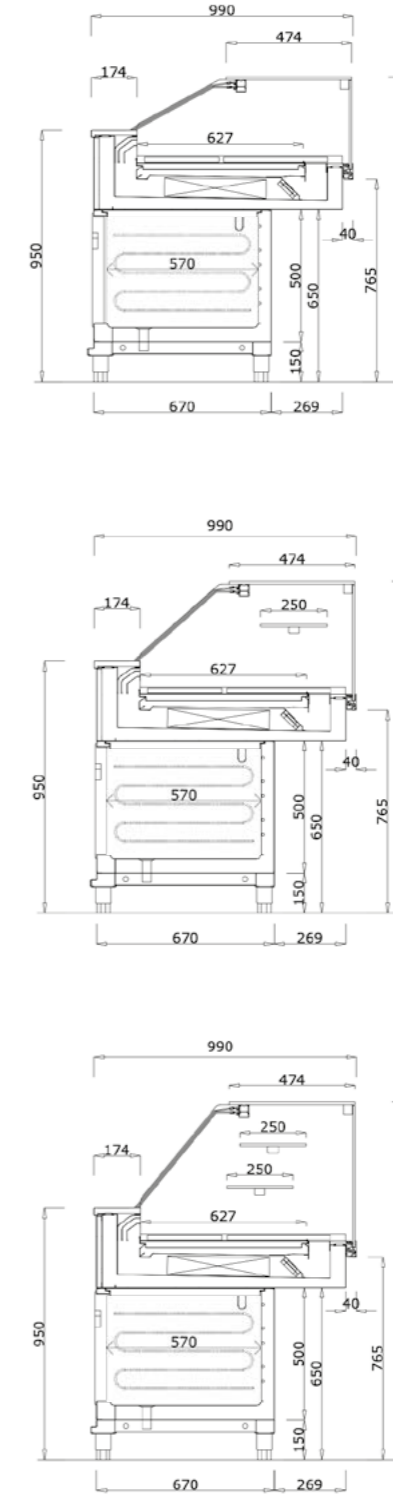
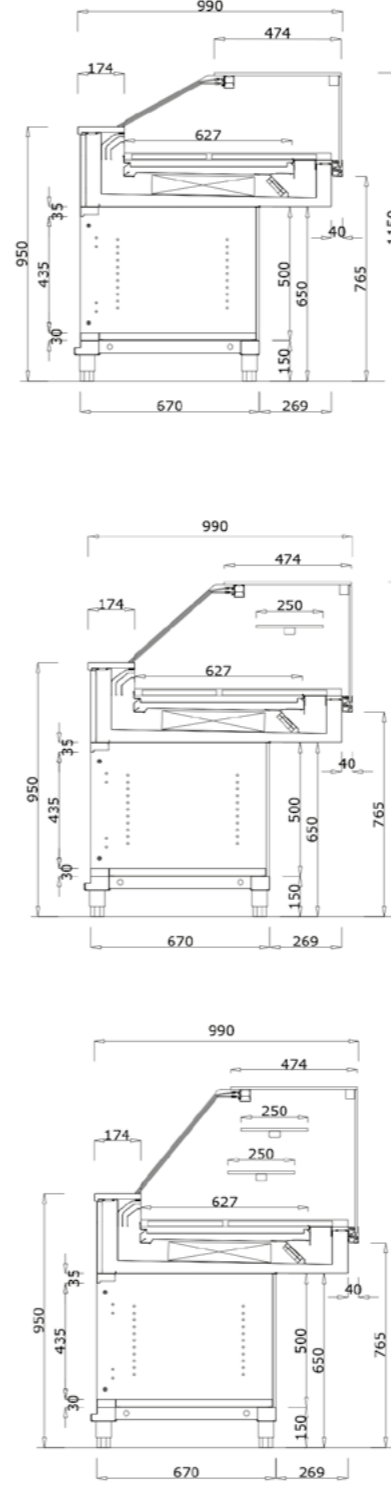
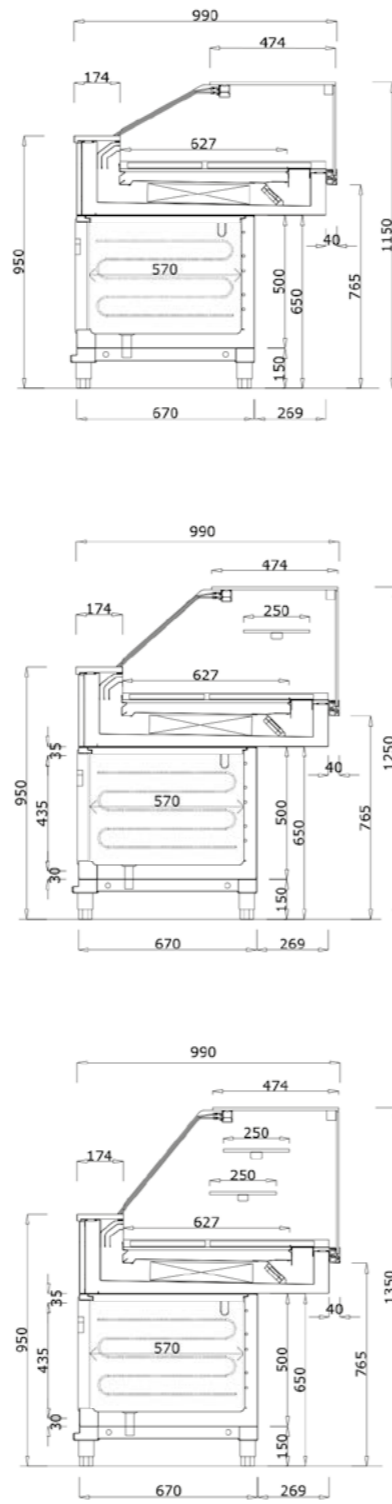
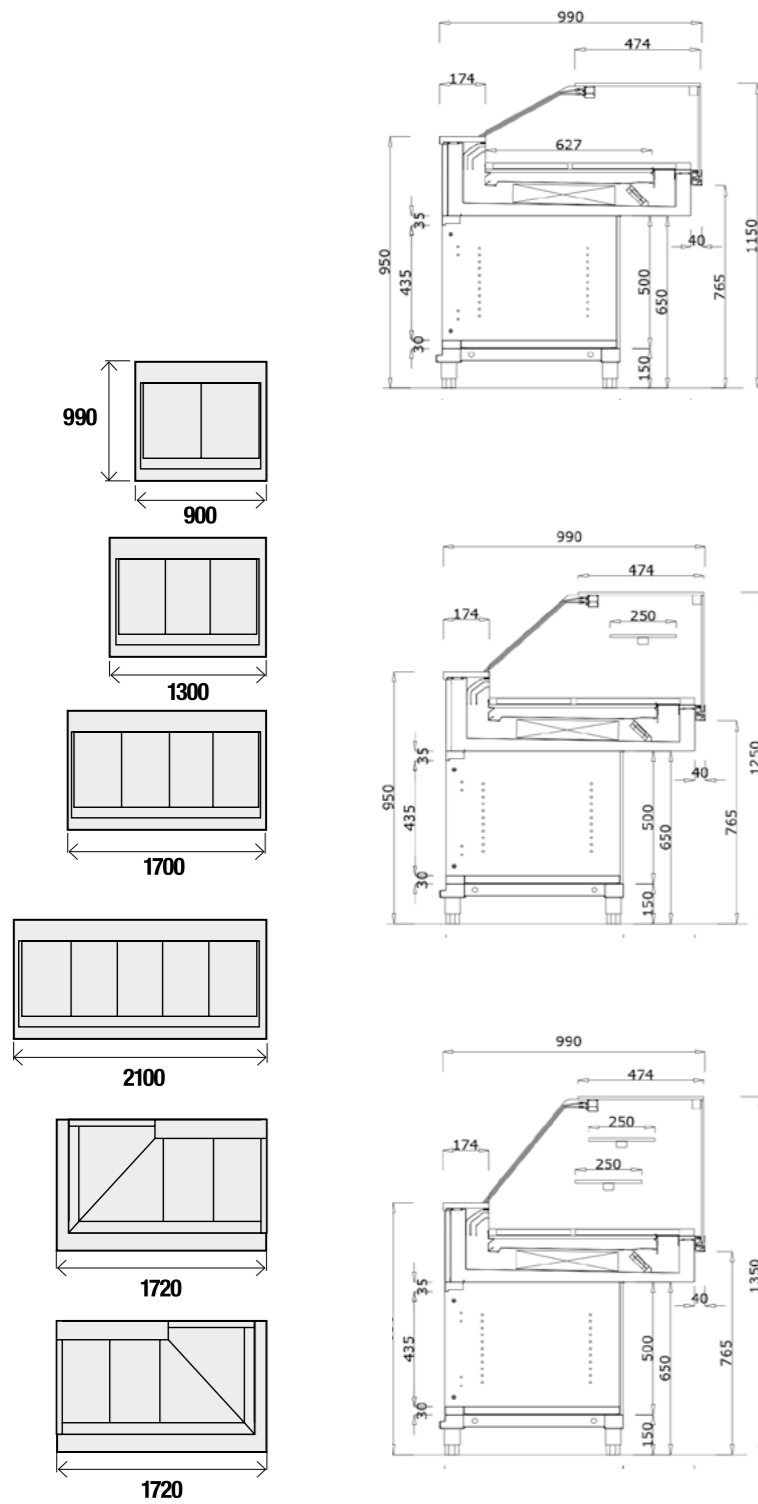
**VENTILATED PASTRY**

WITH UNDERCOUNTER REFRIGERATOR  
(NOT AVAILABLE FOR CORNER MODULES)

**4**

**DUAL FUNCTION  
(VENTILATED PASTRY/PRALINE)**

WITH UNDERCOUNTER REFRIGERATOR



5

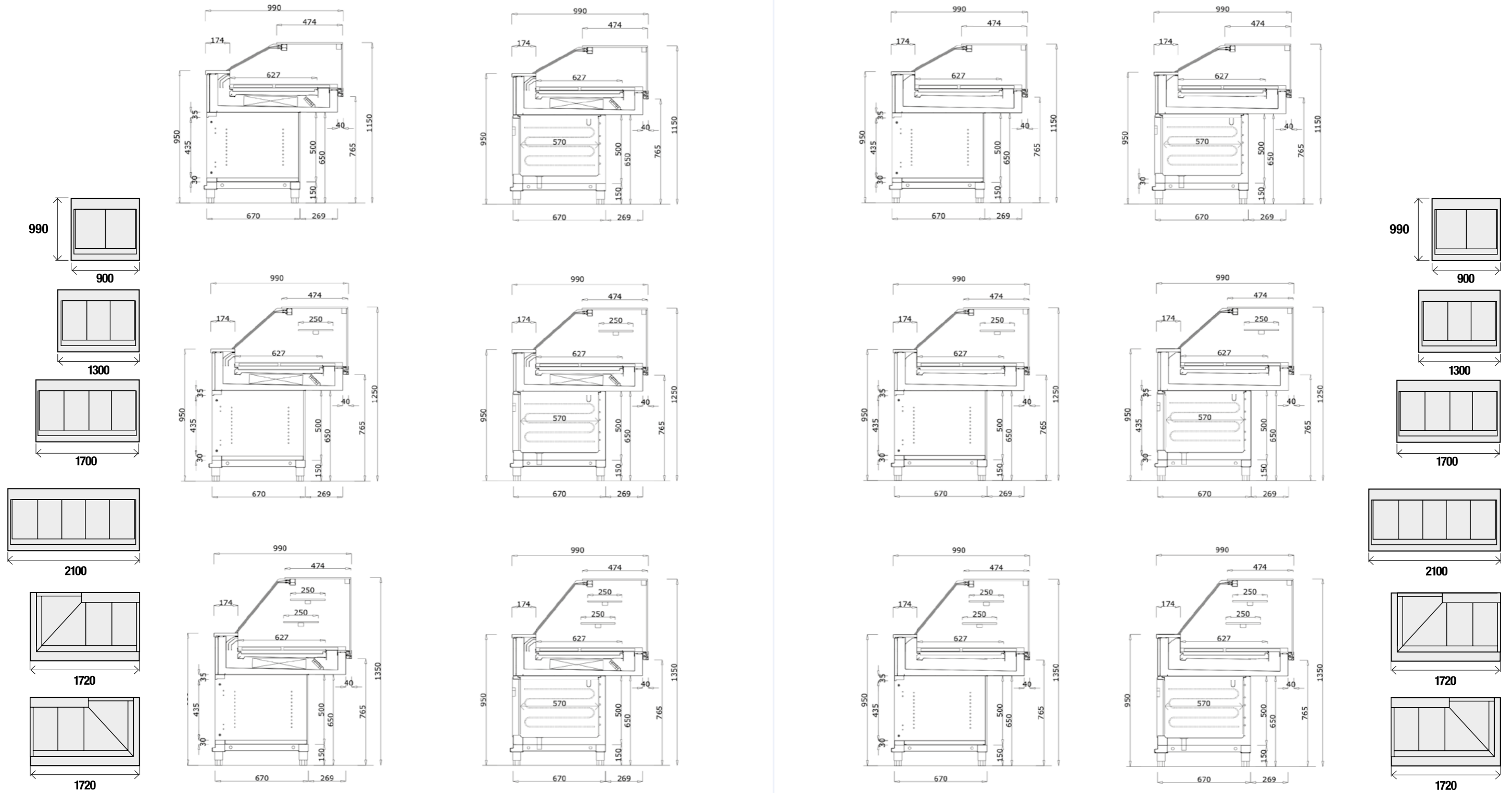
**DUAL FUNCTION  
(VENTILATED PASTRY/DRY-HEAT)**

**WITH UNDERCOUNTER  
REFRIGERATOR  
(NOT AVAILABLE FOR CORNER MODULES)**

6

**DRY-HEAT**

**WITH UNDERCOUNTER  
REFRIGERATOR  
(NOT AVAILABLE FOR CORNER MODULES)**





Italian Gelato Concepts Pty Limited  
Unit 1, 37 Mortimer Road  
Acacia Ridge Qld 4110

Bris Office: +61 [0] 7 3162 7724  
Syd Office +61 [0] 2 8311 9701  
Email: [info@italiangelato.com.au](mailto:info@italiangelato.com.au)

[www.italiangelato.com.au](http://www.italiangelato.com.au)

The logo for BRX features the letters "BRX" in a large, bold, white, sans-serif font. The letter "X" is stylized with a geometric design, featuring two triangles pointing towards each other to form the center of the "X".

[WWW.BRXITALIA.COM](http://WWW.BRXITALIA.COM) +39.0721.499611