

EBA1240 eZ.HD Series

1080p FHD IP66 IR Dome Camera

User's Manual



Copyright © EverFocus Electronics Corp.

Release Date: May, 2019

All the images including product pictures or screen shots in this document are for example only. The images may vary depending on the product and software version. Information contained in this document is subject to change without notice.

EverFocus Taiwan:

2F., No.12, Ln. 270, Sec. 3, Beishen Rd., Shenkeng Dist., New Taipei City 222, Taiwan
TEL: +886 2 2662 2338 FAX: +886 2 2662 3632 www.everfocus.com.tw

1. Introduction

EverFocus eZ.HD series cameras – EBA1240 deliver 1080p full HD image quality. The model provides 3.6mm fixed lens with ICR. Featured with Digital Wide Dynamic Range (D-WDR), the camera can provide clear images even under backlight circumstances where intensity of illumination can vary excessively. The EBA1240 supports both NTSC and PAL scanning systems and is IP66 certified.

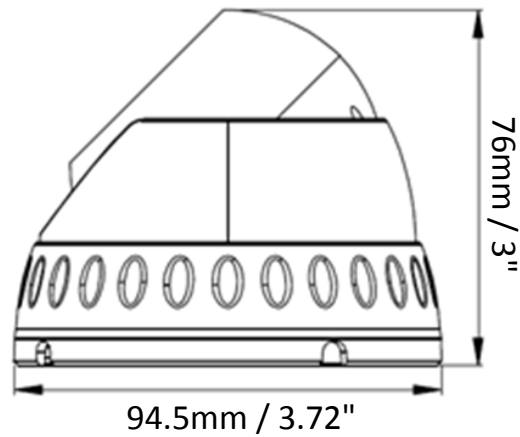
1.1 Packing List

- Camera x 1
- Mounting Sticker x 1
- L-Type Wrench x 1
- Screw & Screw Anchor x 4
- User Manual x 1

1.2 Features

- Equipped with 1080p Full HD CMOS sensor to deliver stunning image quality
- 3.6mm fixed lens with ICR to capture the desired field of view
- Extended IR range of up to 20m / 66ft. with 18 LEDs (depends on scene IR reflectivity)
- D-WDR to improve the visibility under high contrast scene
- The flexible angle viewing with its 3-Axis rotation design allows wall or ceiling mounting
- IP66-rated with metal housing
- Supports UTC function: Control camera OSD settings directly from DVR end

1.3 Dimensions



1.4 Optional Accessory

BA-E310



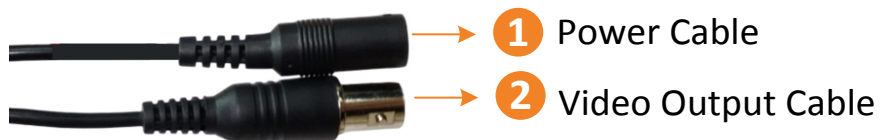
Color / Material: White / Metal
 Size (Φ x H): 101 x 52mm / 3.98"x2"
 Weight: 540g / 1.2lb

BA-E173



Color / Material: White / Metal
 Size (W x D x H): 173 x 111 x 114mm / 6.81"x4.37"x4.49"
 Weight: 700g / 1.5lb

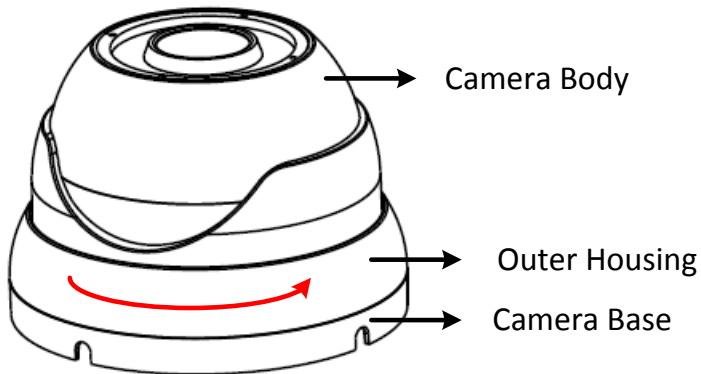
1.5 Cable Description



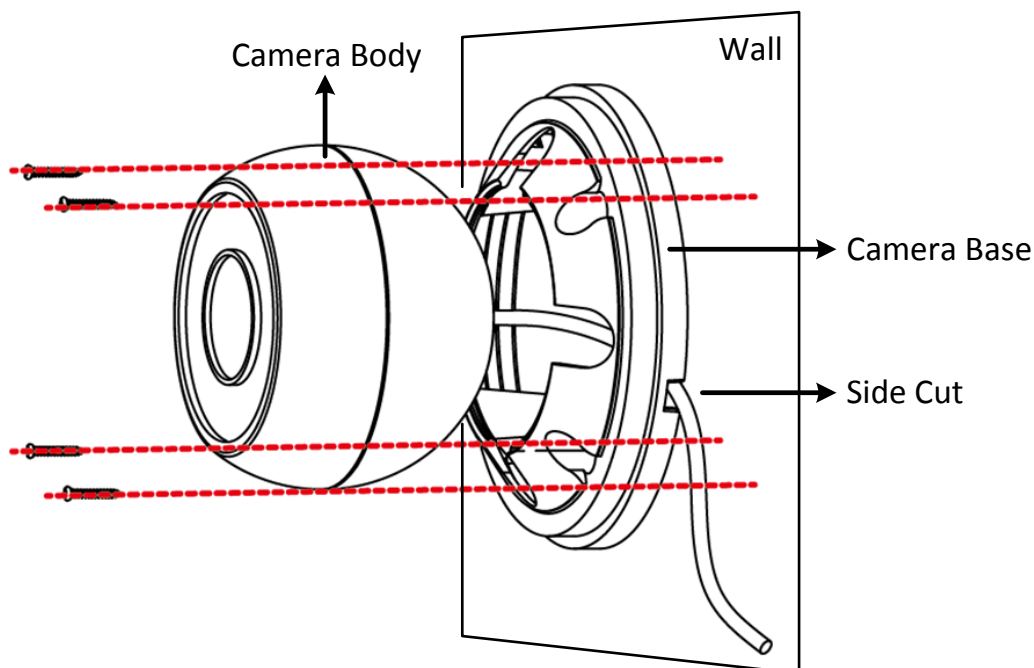
No.	Name	Descriptions
1	Power Cable	Connects to a 12VDC power source.
2	Video Output	1080p output, using 75 Ohm BNC-type coaxial cable.

2. Installation

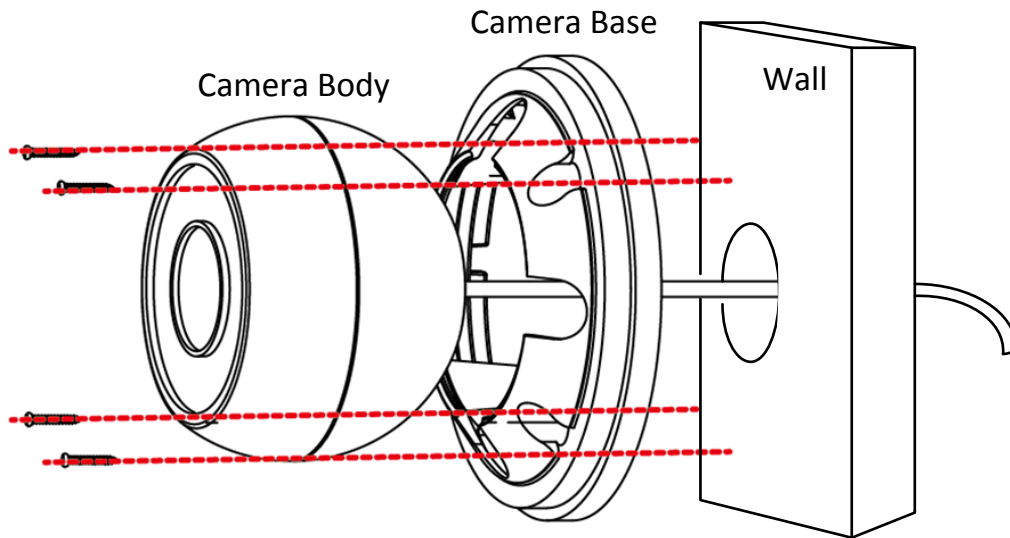
1. Stick the supplied **Mounting Sticker** to the surface to mark the 4 screw positions. Drill four holes on the surface and insert the supplied 4 **Screw Anchors** into the screw holes. If you want to run the cable through the surface, drill a hole within the 4 screw area.
2. Unscrew the **Outer Housing** by twisting it counterclockwise and then remove it from the **Camera Base**.



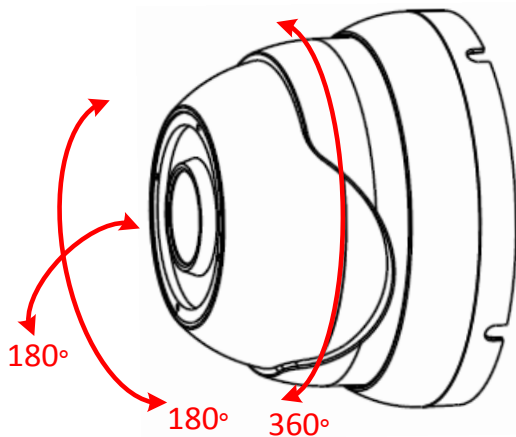
3. Screw the **Camera Base** to the surface with the supplied four **Screws**.
 - a. If you want to wire the cables from the Side Cut on the Camera Base: Attach the Camera Body to the Camera Base and run the cables through the Camera Base first, and then place the cable under the Side Cut. Finally, screw the Camera Base to the surface with the supplied 4 Screws.



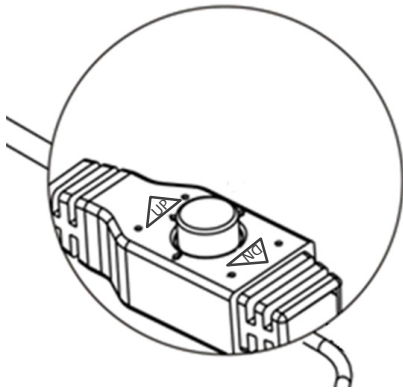
- b. If you want to wire the cables through the surface:
Attach and screw the Camera Base to the surface with the supplied 4 Screws, and then attach the Camera Body to the Camera Base.



4. Screw back the **Outer Housing** and adjust the camera angle simultaneously.



5. Connect the **Power Cable** to a 12VDC power source. Connect the **Video Output Cable** to a monitor or DVR.
6. You can use the **Joystick** on the cable to configure camera OSD settings or switch to different video formats. Remove the Protection Cap from the Joystick before using it.



Switching Video Format:

- Push the joystick up for 5 sec. to switch to AHD.
- Push the joystick right for 5 sec. to switch to TVI.
- Push the joystick down for 5 sec. to switch to CVI.
- Push the joystick left for 5 sec. to switch to CVBS.

Configuring OSD Settings:

- Push the Joystick up / down to select among menu items.
- Push the Joystick left / right to adjust the level of the selected item.
- Press the Joystick to enter the submenu or exit the OSD Setup Menu.

3. Configuration in the OSD Menu

No	Main	Sub Menu	Sub Menu / Function			
1	AE	Brightness	0-100			
		Exposure Mode	Global			
			Center			
			FLC			
			BLC	0-7		
Return						
2	AWB	Mode	ATW			
			Gray World			
			MWB	R Gain	0-63	
		B Gain		0-63		
		Return				
3	Day/Night	Mode	Auto	Gain Day/Night	Low/Middle/High	
				Gain Night/Day	Low/Middle/High	
			Color			
		B/W				
		Return				
4	Image Enhance	Contrast	Auto/Manual	0-20		
		Sharpness	Auto/Manual	0-20		
		Saturation	Auto/Manual	0-20		
		3DNR	Auto/Manual	0-20		
		2DNR	Auto/Manual	0-20		
		DWDR	Close/Open			
		Return				
5	Video Setting	AHD	1080P25/1080P30/720P25/720P30			
		TVI	1080P25/1080P30/720P25/720P30			
		CVI	1080P25/1080P30/720P25/720P30			
		CVBS	PAL/NTSC			
		Apply & Reboot				
		Return				
6	Language	ENG/CHN/CHN(T)/RUS/SPA/FRA/POL/ITA/POR/JAP/KOR/GRE				
7	Function	Privacy	Mode	On/Off		
			Area 0-3	Display	On/Off	
				X Position Start	0-100	
				Y Position Start	0-100	
				Width	0-100	
				Height	0-100	
				Return		
		Color	Red/Green/Blue			
		Transparency	On/Off			
		Return				
		Motion	Mode	On/Off		
			Area 0-3	Display	On/Off	
				X Position Start	0-100	
				Y Position Start	0-100	
				Width	0-100	
Height	0-100					
Return						

			Color	Red/Green/Blue
			Transparency	On/Off
			Return	
		Return		
8	Version			
9	Reset			
10	Save & Exit			
11	Exit			