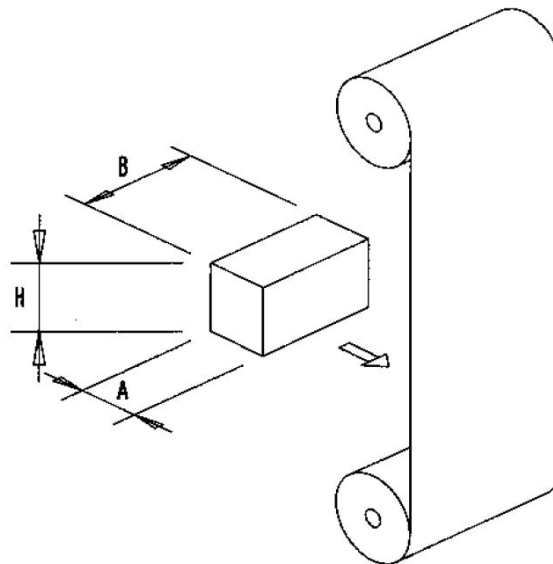


H80 INOX -A - DATA SHEET

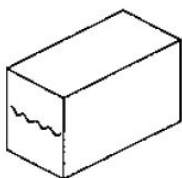
MACHINE RANGE:

Product Dimensions	Min÷Max (mm)
A-Length	100÷500 (mm)
B-Width	100÷600 (mm)
H-Height	70÷370 (mm)*

*270 mm MAX acceptable height with "Laundry set" optional

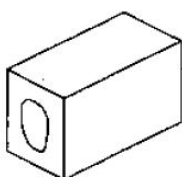


DIMENSIONAL RATIO TO BE RESPECTED:



Total closure with flap overlap

$$B + (2/3 H) \times 2 \text{ max} < 800 \text{ mm Film Reel Width}$$



Closure with side openings

$$B + H \text{ max} < 800 \text{ mm Film Reel Width}$$



N.B. For irregularly shaped products, MacDue reserves the right to verify the feasibility and to list any possible additional costs.

Packaging Material:

Neutral, pre-perforated and shrinkable Polyethylene Film with thickness of 20-50 µm. Flat film reel.

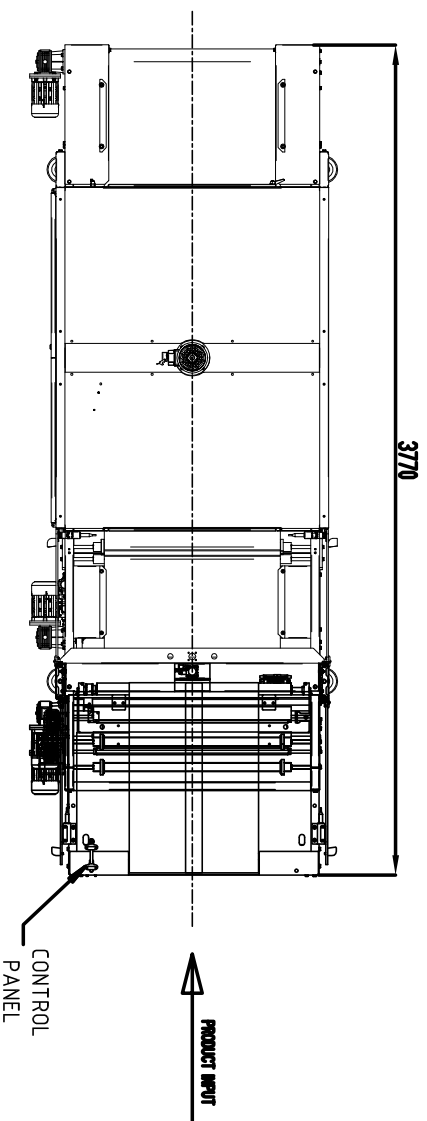
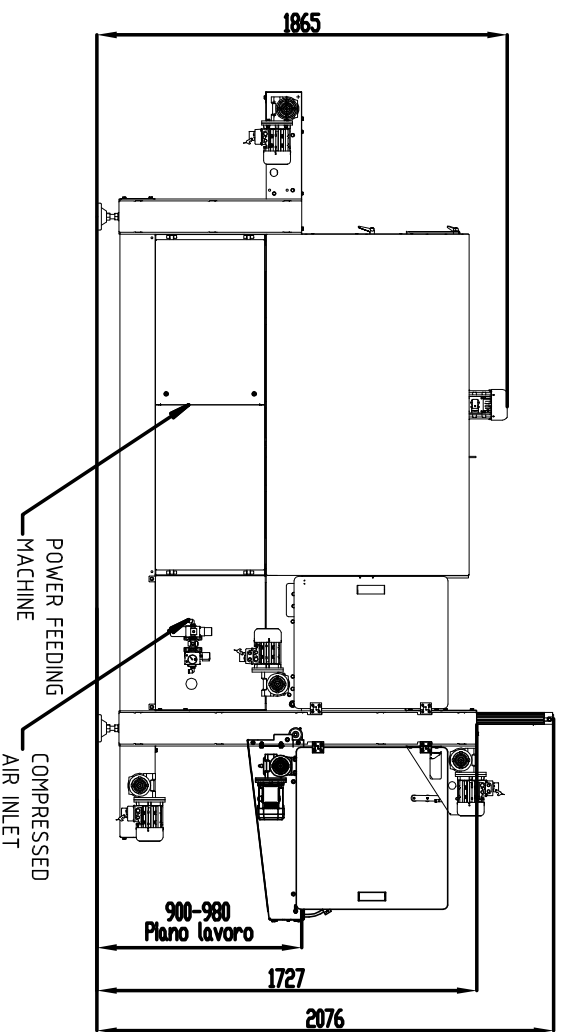
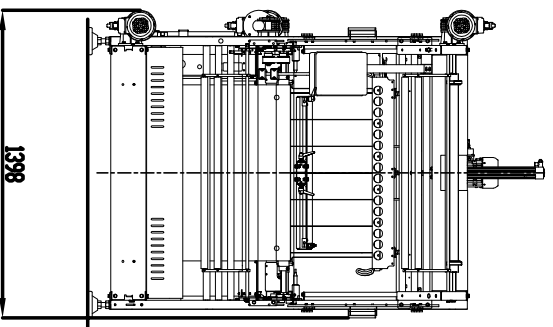
Maximum weight acceptable by the machine: 20 Kg. per linear meter

MAX Temperature: 215°C

Shrink tunnel conveyor speed: MIN 6,5 meters/minute – MAX 17 meters/minute

MAX production speed with neutral, pre-perforated and shrinkable Polyethylene Film with thickness of 40 micron: 10-12 bundles/min

The indicated speed is strictly related both to product characteristics and stability, to BUNDLE CONFIGURATION, packaging material and to the layout of the line. Therefore, final speeds will be confirmed into Mac Due Purchase Order document after careful evaluation by our engineering department of the products and packaging material actually used for the final packaging. Moreover, in case your production demands require a continuous run at the maximum speed, it is absolutely necessary to develop a layout of the line following the technical indications of MACDUE layout department.



TECHNICAL SPECIFICATION	VALUE
WIDTH	1450 mm.
LENGTH	3800 mm.
HEIGHT	2125 mm.
WEIGHT	84.7 Kg
POWER SUPPLY	4.00V. 50Hz 3/PE
MACHINED INSTALLER POWER	25 kW
COMPRESSED AIR INLET	6 bar
PIPE CONNECTIONS	Ø8 mm
CONSUMPTION	18NI/cycle

M/A C		SOSTITUITO DAL		SOSTITUISCE IL	
SRL DUE		CLIENTE		M. N. S.	
SCALA /		TIPO MACCHINA		IMPIANTO	
DATA 23-06-20		H80 INOX-A		IM5570	
DESCR. /		DOCUMENTO RISERVATO. A TERMINI DI LEGGE CON FINITO DI APPROVAZIONE. QUOTE ESPRESSE IN MIL. NON IMPROVVISARE.			