



CURIE⁺ Plus

Technical Specifications



Curing Time Cycles
1 sec. to 20 min.



Dimensions
36.6 (W) x 26 (D) x 23.4 (H) cm
14.4 (W) x 10.2 (D) x 9.2 (H) in



Weight
12.2 kg
26.9 lbs



Chamber Dimensions
20 (W) x 15 (D) x 6 (H) cm
7.9 (W) x 5.9 (D) x 2.4 (H) in



UV Wavelength
365, 385, and 405 nm



LED Lights
65



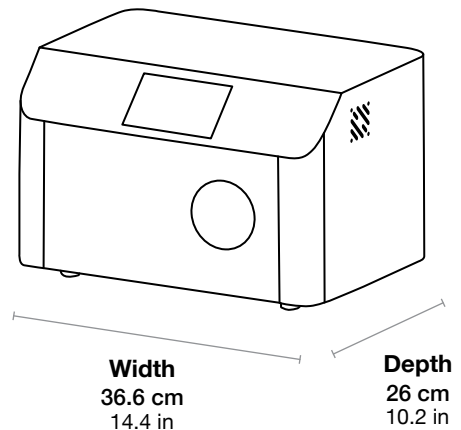
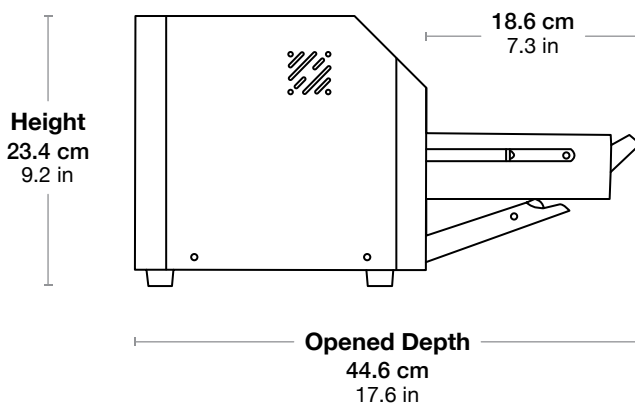
Power Consumption
500 W max.



Power Input
100-240VAC, 50-60Hz



Library Updates
Automatic online






Visit ackuretta.com to learn more
For sales inquiries, contact sales@ackuretta.com








NFinity

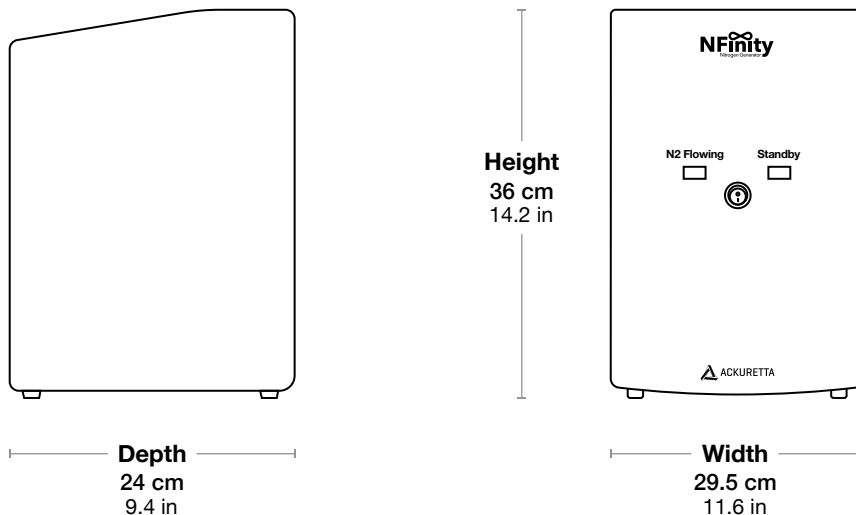
Nitrogen Generator

Technical Specifications

- Dimensions**
 29.5 (W) x 24 (D) x 36 (H) cm
 11.6 (W) x 9.4 (D) x 14.2 (H) in
- Weight**
 17.2 kg
 37.9 lbs
- Power Input**
 110 or 220VAC (manual switch),
 50/60Hz

- Compatibility**
 Nitrogen parameters preset
 in CURIE Plus
- Nitrogen Flow Rate**
 Up to 1.6 L/min
- Nitrogen Purity**
 $\geq 95\%$

- Nitrogen Tube**
 3.6 m
- Drainage Tube**
 1 m



Visit ackuretta.com to learn more
 For sales inquiries, contact sales@ackuretta.com