



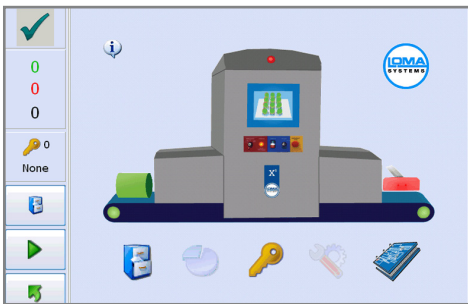
X⁵ - XL X-Ray Inspection System

Designed for Food & Packaging Industries

X-Ray
Detection

Product Highlights

- X-Ray system designed for large products in Euro Crates and Bulk Bags of up to 100kg
- Fast inspecting with the Set-up wizard automatically optimising the X⁵ XL for each product type which allows you to learn and switch within minutes
- Reliable Heavy duty conveyor components, built for 24/7 operation with pass key protective set-up for added security and control
- Date stamped reject images designed to comply with CFR21 Part 11 requirements are internally stored and can be removed via USB or Ethernet.
- Windows (WES) Industrial Grade PC with modem, Ethernet and Front Access USB Port



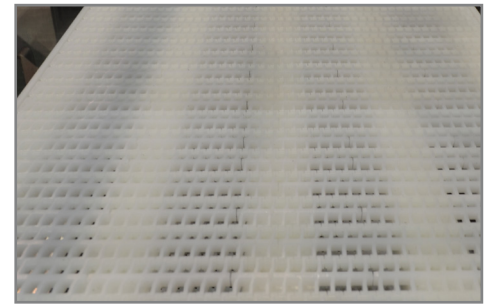
Easy to Use Intuitive Full Colour Touchscreen

The X⁵ Spacesaver includes an Icon driven full colour touchscreen control interface including multi-level password access.



Large Products, Euro Crates and Bulk Bags of 25kg up to 100kg

Designed to handle sealed large bulk products prior to processing or distribution. Ideal for products such as crates of meat.

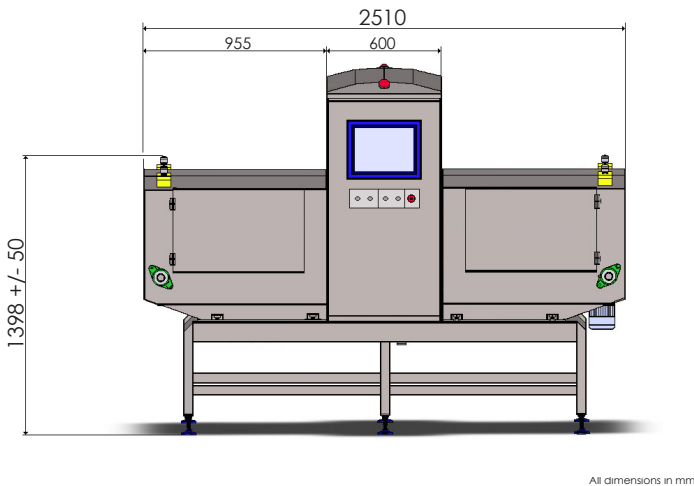
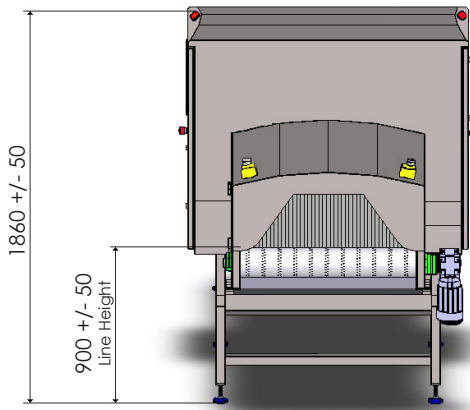


Modular Belt for Easy Wash Down and Cleaning

Modular belt makes cleaning easy for machines in High-care environments.



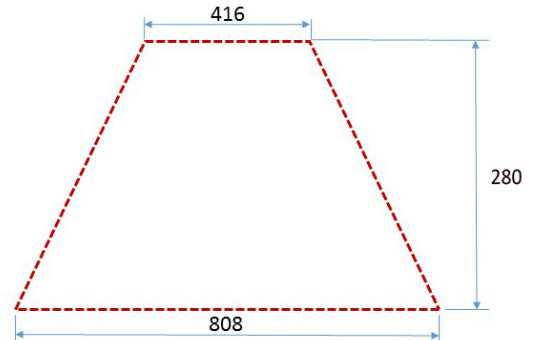
Technical Specification



All dimensions in mm

Finish	304 Brushed Stainless Steel
System Length	2500 mm
Line Height	900 mm ±50 mm
X-Ray Output	240W (80kV 3mA)
IP Rating	IP66
Belt Width	800 mm
Belt Type	Modular (Intralox)
Max Product Weight	100kg
Speed Range	10 - 50 m/min
Power Requirements	230V AC, 50 Hz or 110v AC 60Hz, Single Phase Mains
Operating Environment	0 to 15 °C 32 to 59 °F
Cooling	0 to 15 °C Vortex Cooling 15-40 °C Air Conditioner Option
X-Ray Safety	Leakage less than 1 µSv/h
Detection Algorithms	15 Multilayer Algorithms combined in any combinations
Reporting	Event, Batch, Shift
Data Retrieval	Via USB, Ethernet, Enet

Product Inspection Window Size



Reject Options

The X⁵ XL is supplied as standard with two output signals suitable for triggering third-party reject systems. Alternatively, it can be specified as a Stop On Detect System or with bespoke reject stations.



An ITW Company

Loma Systems is a registered trademark of Illinois Tool Works Inc. (ITW). Other names, logos, icons and marks identifying our products and services referenced herein are trademarks of ITW and may not be used without the prior written permission of ITW. Other product and company names listed are trademarks or trade names of their respective companies. Copyright © 2016 Illinois Tool Works Inc. All rights reserved. All of the specifications shown in this document are subject to change without notice.

www.loma.com

Tel: +44(0)1252 893300 (UK) | +1-800-872-LOMA (North America)

Metal Detection | Checkweighing | X-Ray Inspection

In association with



X5XL_893201612