



# KALTENBACH

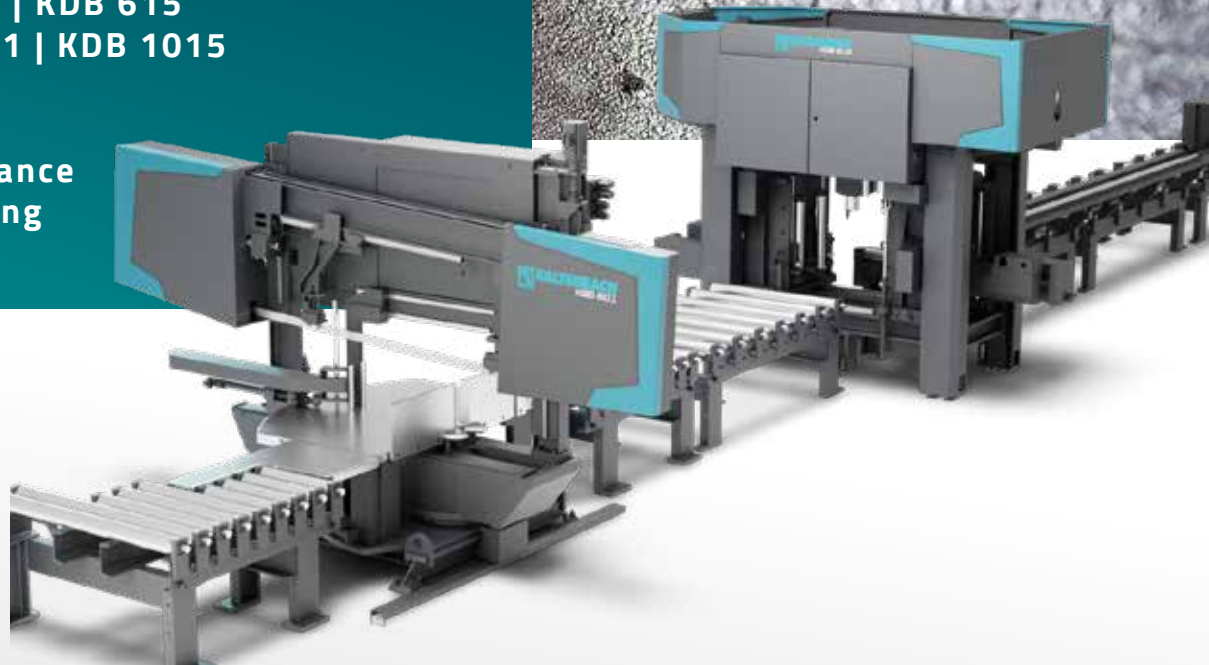
KBB 601/1001 | KDB 615/1015

Band sawing | Drilling

## Powerful saw drill combination

KBB 601 | KDB 615  
KBB 1001 | KDB 1015

High  
performance  
processing



**KALTENBACH**

POWERFUL SOLUTIONS - PASSIONATE PEOPLE

 [www.kaltenbach.com](http://www.kaltenbach.com)

The KBB/KDB saw drill combinations are specially designed for machining large and heavy profiles. Large volume profiles, which can also be mitre cut.

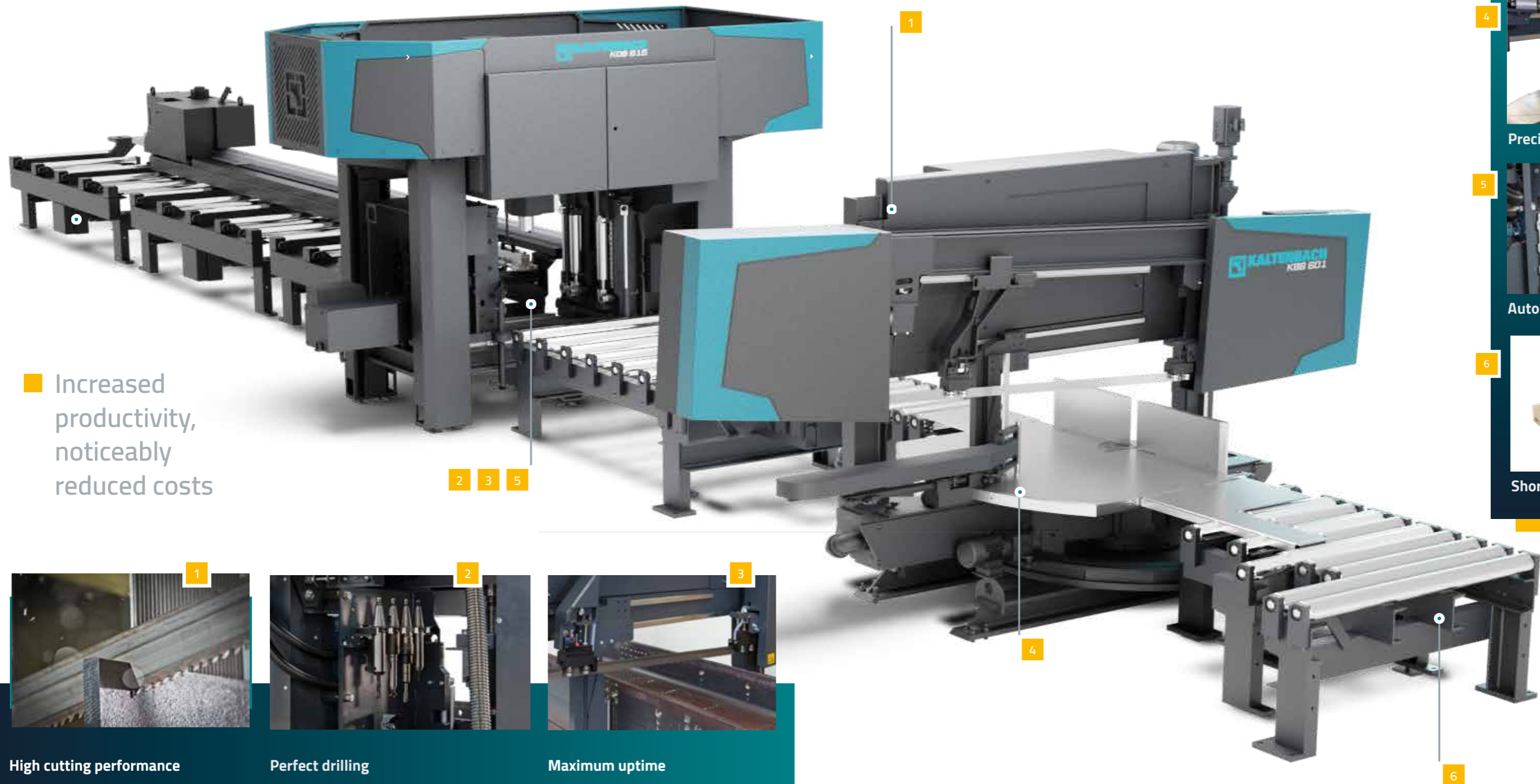
A great opportunity to expand you productivity and further improve the quality of your steel products.

- > EXCEPTIONAL RELIABILITY AND MAXIMUM UPTIME
- > MOST ENVIRONMENTALLY FRIENDLY SOLUTIONS
- > LOWEST COST OF OWNERSHIP



**BENEFITS AT A GLANCE**

- > Fast and powerful saw drill combination
- > Unique system for machining large volume profiles
- > High precision mitre cuts
- > Robust, low-vibration design
- > Durable construction
- > Long service life
- > Very solid and reliable clamping system
- > Lowest cost of ownership
- > First class end products



■ Increased productivity, noticeably reduced costs

- 4 Precise setting of cutting angle
- 5 Automatic tool change
- 6 Short Piece Gripper option

- 1 High cutting performance
- 2 Perfect drilling
- 3 Maximum uptime



## HARD FACTS

H T L U - O □

KBB 601   1001			KDB 615   1015		
Working range max	mm	630 x 410 / 1,030 x 400	Working range max /min	mm	600 x 410 / 50 x10 / 1,000 x 410 / 50 x 10
Working range min	mm	50 x 10	Machining unit - vertikal		1
Band saw blade		41 x 1.3, Z3/4	Machining unit - horizontal		2
Cutting speed	m/min	0 - 120	Max. speed	rpm	4,000
Saw band feed	mm/min	0 - 300	Max. torque	Nm	115
Rapid feed and return	mm/min	5,000	Drive power per axis	kW	20
Drive performance	kW	6.9	Positioning - rapid traverse	m/min	15
Dimensions (L x W x H)	mm	3,560 x 1,450 x 2,150 / 3,850 x 1,450 x 2,150	Tool changer x magazine places		3 x 5
Weight	kg	2,300 / 2,450	Cooling		in- + external
Mitre range		90°	Drill diameter	mm	6.8 - 40



**GIETART Shot blaster**  
 Possibility to combine with a powerful GIETART Compact Blaster, resulting in a complete high performance processing system.



**Efficient material handling**  
 Designed to ensure an optimal process flow, and therefore the most effective processing of material in your production area.

## HOME AT YOUR INDUSTRY

- > Automotive
- > Bridge Building
- > Machine Construction
- > Ship Building
- > Steel Fabrication
- > Steel Service Center
- > Transmission Towers

Saw drill combinations for medium and heavy-duty steel fabrication and service centers.



**KALTENBACH**



KALTENBACH GmbH + Co. KG  
 Blasiring 4  
 D-79539 Lörrach  
 Germany

Tel: +49 7621 175 0  
 E-Mail: info@kaltenbach.com

www.kaltenbach.com