

FD4T1500A

INDUSTRY
KITCHENS

www.industrykitchens.com.au 1800 611 058

BROMIC[®]
REFRIGERATION

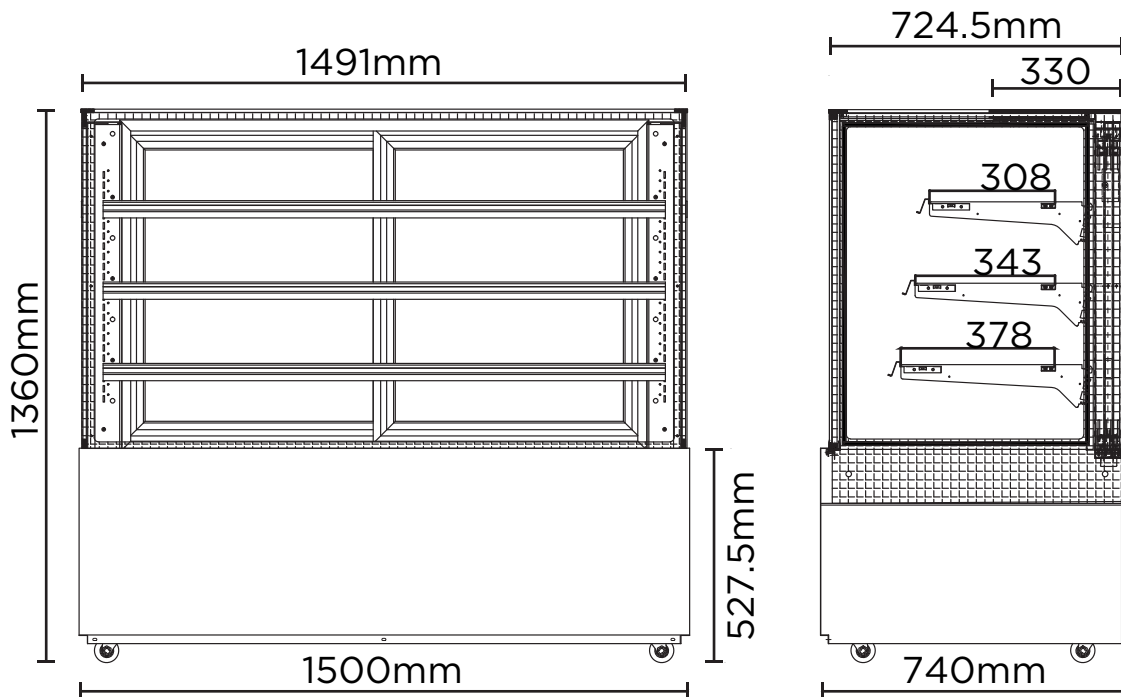
Ambient Food Display 1500mm - 4 Tier

| Food Displays



4 Tier Ambient Food Display 1500mm

| Food Displays



SPECIFICATIONS	DIMENSIONS
-----------------------	-------------------

Part Number Volume Unit Weight Packaged Weight Rated Current Electrical Voltage Frequency Power Supply Power Plug Plug Location Internal Light	3736302 686L 206kg 216kg 0.35A 220-240V 50Hz Single Phase 1 x 10A Rear, Bottom Right LED	No. of Doors Door Type Door Glass Type Door Style Self-Closing Door No. of Shelves Incl. Base Per Door Shelves Type Shelf Dimensions Castors Warranty	2 Glass Single Glazed Sliding No 4 Adjustable 1417(w) x 307(d), 1417(w) x 342(d), 1417(w) x 377(d) mm Yes 2 Years, Parts & Labour Bromic Extra Care	<table border="0" style="width: 100%;"> <tr> <td colspan="2">External (mm)</td> </tr> <tr> <td style="text-align: right;">Width</td> <td>1500</td> </tr> <tr> <td style="text-align: right;">Depth</td> <td>740</td> </tr> <tr> <td style="text-align: right;">Height</td> <td>1360</td> </tr> <tr> <td colspan="2">Internal (mm)</td> </tr> <tr> <td style="text-align: right;">Width</td> <td>1474</td> </tr> <tr> <td style="text-align: right;">Depth</td> <td>647</td> </tr> <tr> <td style="text-align: right;">Height</td> <td>828</td> </tr> <tr> <td colspan="2">Packaged (mm)</td> </tr> <tr> <td style="text-align: right;">Width</td> <td>1600</td> </tr> <tr> <td style="text-align: right;">Depth</td> <td>850</td> </tr> <tr> <td style="text-align: right;">Height</td> <td>1510</td> </tr> </table>	External (mm)		Width	1500	Depth	740	Height	1360	Internal (mm)		Width	1474	Depth	647	Height	828	Packaged (mm)		Width	1600	Depth	850	Height	1510
External (mm)																												
Width	1500																											
Depth	740																											
Height	1360																											
Internal (mm)																												
Width	1474																											
Depth	647																											
Height	828																											
Packaged (mm)																												
Width	1600																											
Depth	850																											
Height	1510																											