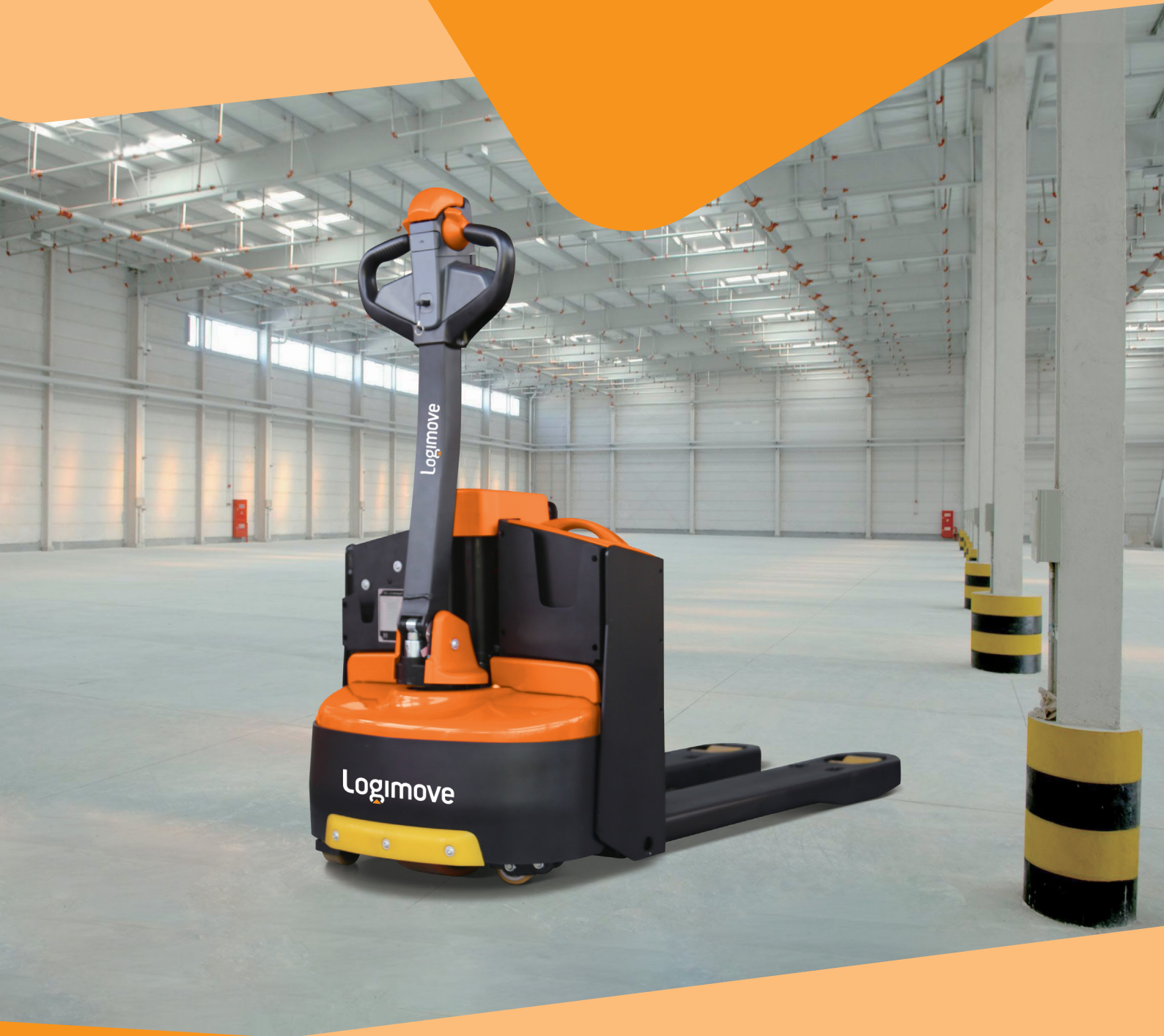


Logimove



Logimove2000

Electric Pallet Truck

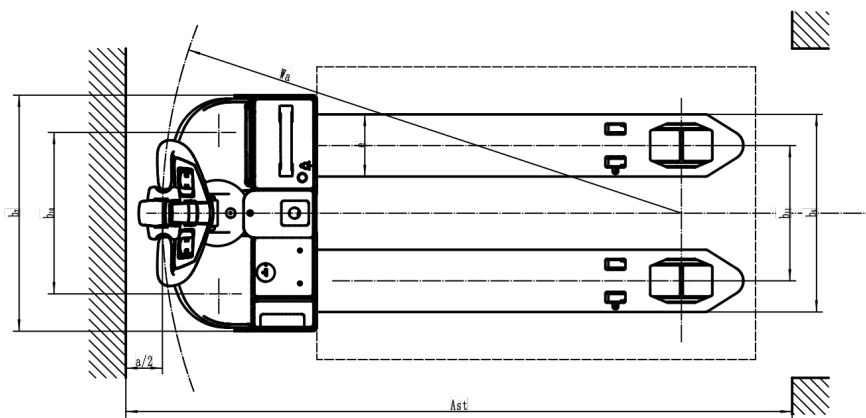
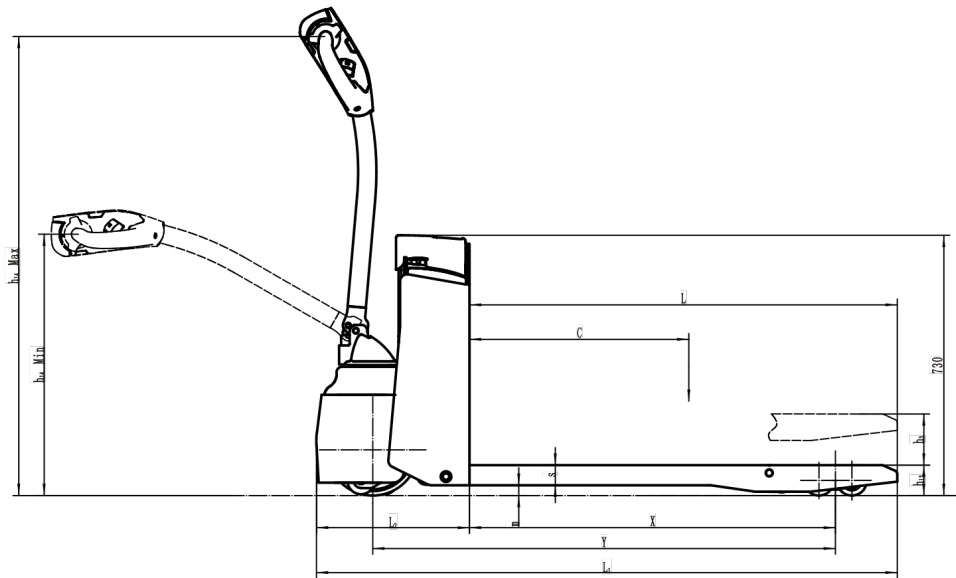
- Smaller but stronger frame;
- New design visualized operation handle;
- Breakout traditional module design;
- 48V new control system & PMBM.

Logimove2000

Electric Pallet Truck

Distinguishing mark	1.1	Manufacturer			Logimove
	1.2	Model designation			Logimove2000
	1.3	Drive unit			Electric
	1.4	Operator type			Pedestrian
	1.5	Rated capacity	q	kg	2000
	1.6	Load center distance	c	mm	600
	1.8	Load distance	x	mm	1000
	1.9	Wheelbase	y	mm	1268
	Service Weight	2.1	Service weight (include battery)		kg
2.2		Axle loading, laden driving side/loading side		kg	685/1565
2.3		Axle loading, unladen driving side/loading side		kg	1185/65
Tyres/chassis	3.1	Tyre type driving wheels/loading wheels			Polyurethane / Polyurethane
	3.2	Tyre size, driving wheels (diameter x width)		mm	φ245 x 94
	3.3	Tyre size, loading wheels (diameter x width)		mm	2 x φ80 x 85 (φ80c115)
	3.4	Tyre size, caster wheels (diameter x width)		mm	φ74 x 48
	3.5	Wheels, number driveing, caster/loading (X=drive wheels)		mm	1x +2/4 (1x +2/2)
	3.6	Track width, front, driving side	b10	mm	441
	3.7	Track width, rear, loading side	b11	mm	370/515
Dimensions	4.4	Lift height	h3	mm	140
	4.9	Height drawbar in driving position min./max/	h14	mm	716/1240
	4.15	Lowered height	h13	mm	82.5
	4.19	Overall length	l1	mm	1592
	4.20	Length to face of forks	l2	mm	423
	4.21	Overall width	b1/b2	mm	645/625
	4.22	Fork dimensions	s/e/l	mm	55x170x1170
	4.25	Distance between fork-arms	b5	mm	540/685
	4.32	Ground clearance, center of wheelbase	m2	mm	27
	4.34.1	Aisle width pallets 1000 x 1200 crossway	Ast	mm	2228
	4.34.2	Aisle width pallets 800 x 1200 crossway	Ast	mm	2076
4.35	Turning radius	Wa	mm	1428	
Performance data	5.1	Travel speed, laden/unladen		km/h	5/5.5
	5.2	Lifting speed, laden/unladen		m/s	0.028/0.04
	5.3	Lowering speed, laden/unladen		m/s	0.04/0.022
	5.8	Max. gradeability, laden/unladen		%	6/16
	5.10	Service brake			Electromagnetic
Electric-engine	6.1	Drive motor rating S2 60 min		kw	0.9
	6.2	Lift motor rating at S3 15%		kw	0.84
	6.3	The maximum allowed size battery		mm	245x160x380
	6.4	Battery voltage/nominal capacity		V/ah	48/30 (Li-ion)
	6.5	Battery weight			14
Addition data	8.1	Type of drive control			DC
	10.5	Steering design			Mechanical
	10.7	Sound pressure level at the driver's ear		dB(A)	74

If there are improvements of technical parameters or configurations, no further notice will be given.
The diagram shown may contain non-standard configurations.



Option

No.	Option items	Logimove2000
1	Fork length *width	● 1170*540 Ø850 / 1000*540 Ø850 / 1000 / 100 / 1450 1600 1170*685
2	load wheel	● Double ○ Single
3	Driving wheel	●
4	Caster wheel	●
6	Battery indicator with hour meter	●
8	Battery capacity	● 30Ah
11	Vertical handler working	●
15	Special backrest	○ 1220mm / 1525mm
16	Cover	●
17	Pinpad	○
18	External charger	○

Note ● Standard ○ Optional - n/a



www.sitecraft.net.au | 1300 363 152 | sales@sitecraft.com.au