

innologic ™



S8 EXP TRANS-PERINEAL

A quality portable ultrasound machine
with above-standard image quality.



Innovation in healthcare

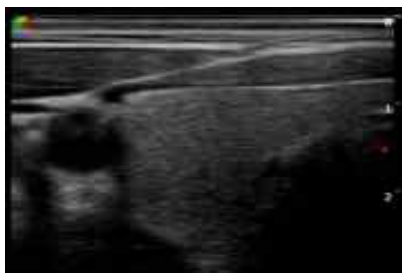
POWERFUL PLATFORM



Carrying forward the classical design of SonoScape's portable ultrasound products, S8Exp successfully combines excellent ergonomics, attractive design and ease of use.

- The rechargeable battery integrated within the system ensures the possibility of performing outdoor ultrasound examination.
- Its compact and light weight design enable you to take your ultrasound wherever needed.
- The most important controls are well located within an intuitive interface, making all operations both easy and fast.
- Fifty degree foldable high resolution color LCD screen guarantees the most comfortable viewing location available in any environment.

Embedded with SonoScape's core imaging technologies such as u-scan, Phased Harmonic Imaging (PHI) and Spatial Compound, the S8Exp boasts an exceptional 2D image, sensitive spectral, Colour and Power Doppler, displaying well-defined anatomy and pathology and facilitating a highly optimized diagnostic user environment for conclusive diagnoses.



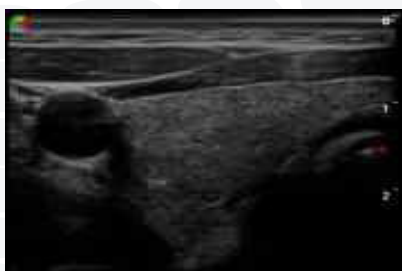
u-Scan Off



Pulse Inversion Harmonic Imaging Off



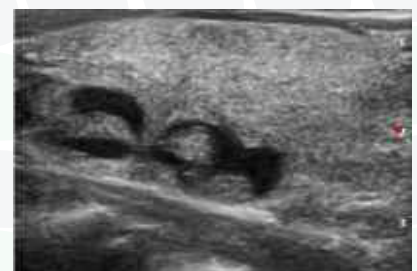
Spatial Compound Imaging Off



u-Scan On

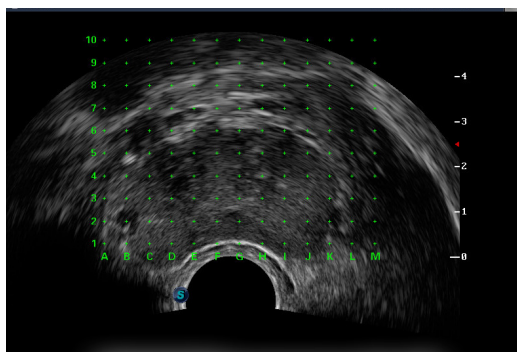


Pulse Inversion Harmonic Imaging On

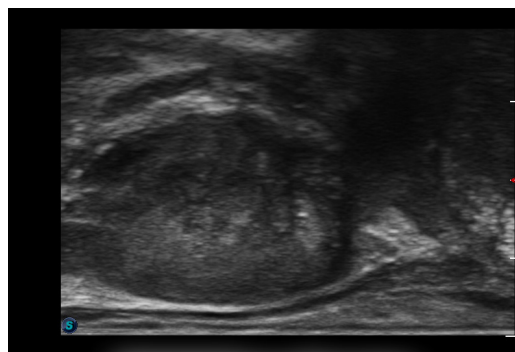


Spatial Compound Imaging On

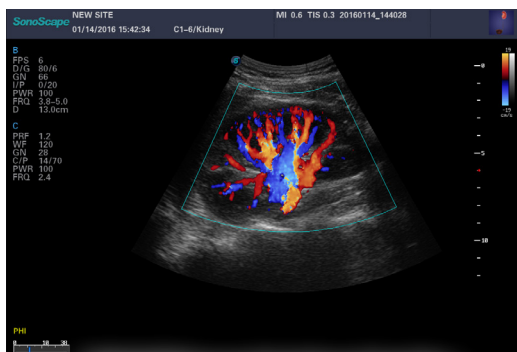
GALLERY



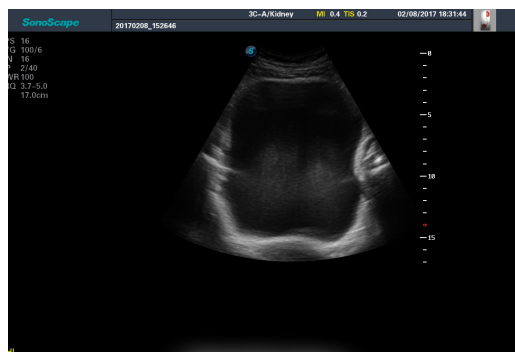
BCL10-5 Transverse w/ grid



BCL10-5 Linear Prostate



3C-A Kidney w/ colour doppler



3C-A Bladder

TRANSDUCERS



C3-A



6V3



BCL10-5



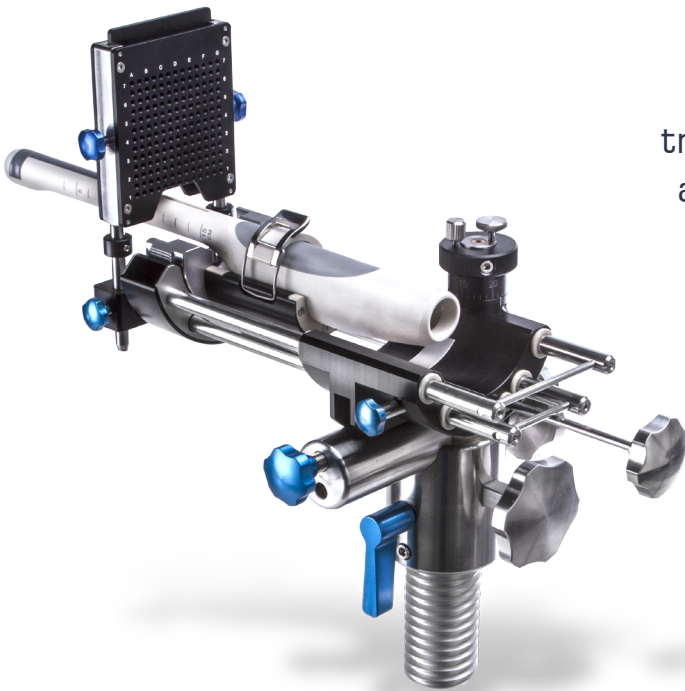
L742

For more transducers, please consult your local representative.

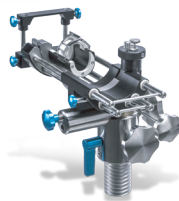
SONOSTEPPER

Sonostepper is a simple device to stabilise a transrectal ultrasound transducer and allow defined single-step anteroposterior movements and fine spatial positioning of the probe.

- Stable fixing of the transrectal transducer into the treatment position needed by the physician.
- No calibration of the Sonostepper is required.
- Only standard cleaning and surface disinfection required.
- Reusable puncture template grid is available and can be sterilised in an autoclave.
- No electronic parts.
- Micro-feed stepping mechanism.
- Magnetic stainless steel and magnet provide a solid transducer adapter mounting.



Silver screw dial for precise micro-feed stepping



Blue knobs for locking in position (brakes)



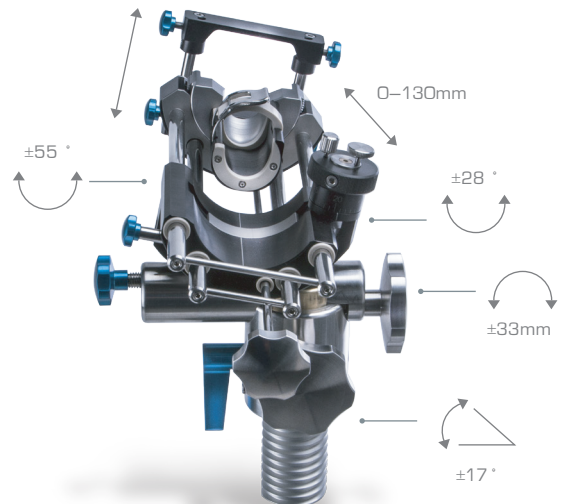
Universal transducer holder for any type of ultrasound transducer

The Sonostepper allows transducer's positioning in many different angles and positions to allow treatment delivery.

Prostate Brachytherapy is an effective treatment for localized prostate cancer with high patient tolerability and acceptable morbidity outcome data. It is a technique that delivers a high dose of radiation to a small target volume of tissue, minimizing radiation side-effects to adjacent structures.



Height adjustable tripod stand



CONSUMABLES

GT 401

Product No.	GMT B-T221820
Gauge	18
Length	200mm (other sizes / lengths available)
Qty/Bx	10
Description	A light weight, easily operated and fully automatic disposable biopsy instrument. 18mm sample notch ensures sufficient tissue for clinical diagnosis. Two triggers from the front and rear of the instrument make handling easier.



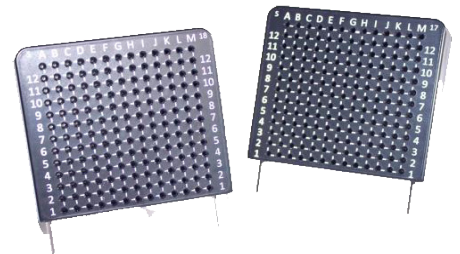
Sonoscape EC9-5 Needle Guide

Product No.	PT 5650
Qty/Bx	24 kits
Description	Sterile Needle guide



Disposable Biopsy Grids

Product No.	LM 10208602 / LM 10208702
Size	17G/ Grid 18G
Qty/Bx	5
Description	Sterile Prostate Biopsy grid with BK numbering on one side, Siemens / SBEXP numbering on the reverse.



Disposable Biopsy Grid Kits

Product No.	LM 10652702/ LM 10653902
Size	17G / 18G
Qty/Bx	10
Description	Sterile 17G/ 18G grid (10), sterile (81.3 x 91.4cm) polyethylene drape (10), non-sterile (2 x 14cm) endocavity balloon (10) and sterile 20 gram gel packets (10).



Innologic offer a large selection of other ultrasound and biopsy consumables. Please contact us today to find out more about our extensive range.



ABOUT INNOLOGIC

Innologic's focus is innovation in healthcare combined with exceptional customer service. Each device in our range has been selected for its quality, reliability, and ability to support the needs of busy clinics across Australia and New Zealand. By sourcing and introducing new, high quality equipment and consumables, Innologic has improved accessibility to treatment and therefore enabled better health outcomes. With the Australian and New Zealand practitioner in mind, Innologic will continue providing more effective and accessible healthcare solutions, through persistent innovation and passion for life.



Urology



Urogynaecology



Continenace
Clinics



Gastrointestinal

Innovation in healthcare