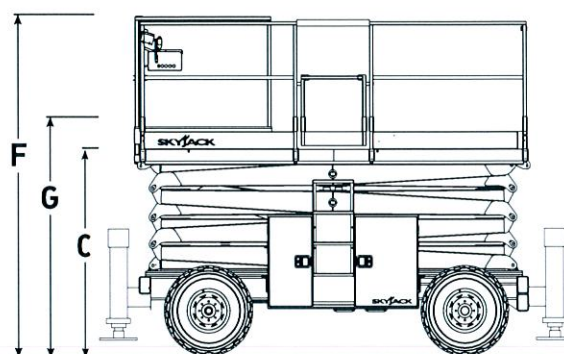
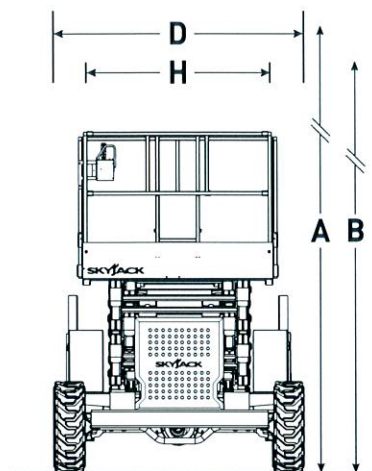


SJ8831/41 RT ROUGH TERRAIN SCISSORS

Dimensions	SJ8831 RT	SJ8841 RT
A Work Height	11.45 m	14.50 m
B Raised Platform Height	9.45 m	12.50 m
C Lowered Platform Height	1.50 m	1.75 m
D Overall Width	2.20 m	2.20 m
E Overall Length	3.53 m	3.53 m
F Stowed Height (Rails Up)	2.67 m	2.90 m
G Stowed Height (Rails Down)	1.99 m	2.22 m
H Platform Width (Inside Dimension)	1.70 m	1.70 m
I Platform Length Extended (Inside Dimension)	5.70 m	5.70 m

Specifications	SJ8831 RT	SJ8841 RT
Ground Clearance	0.20 m	0.20 m
Wheelbase	2.27 m	2.27 m
Weight	5,684 kg	6,173 kg
Gradeability	30%	30%
Turning Radius (Inside)	4.01 m	4.01 m
Turning Radius (Outside)	6.30 m	6.30 m
Lift Time (With Rated Load)	46 sec	71 sec
Drive Speed (Stowed)	4.5 km/h	4.5 km/h
Drive Speed (Raised)	0.4 km/h	0.4 km/h
Maximum Drive Height	Full Height	Full Height
Capacity (Overall)	908 kg	681 kg
Maximum # of Persons	6	5



Model	Capacity With 2 Extension Decks*		
	Main	Front Ext.	Rear Ext.
SJ8831 RT	454 kg	227 kg	227 kg
SJ8841 RT	227 kg	227 kg	227 kg

* With standard tyres

Skyjack Australia Pty Ltd
 4 Coates Place
 Wetherill Park
 New South Wales, 2164
 Tel: +61 (0) 2878 63200
 Fax: +61 (0) 2878 63222
 Email: jcranmer@skyjack.com

www.skyjack.com

This brochure is for illustrative purpose only and based on the latest information at the time of printing. Skyjack Inc. reserves the right to make changes at any time, without notice, to specifications, standard and optional equipment. Consult the Operating Maintenance and Parts Manuals for proper procedures. AS marked platforms are in conformance to Standard AS/NZS 1418.10:2011.