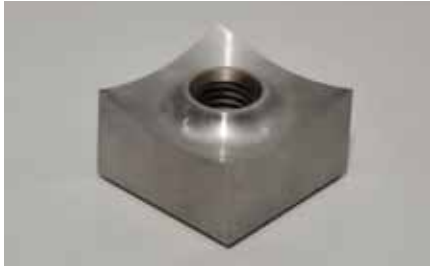


ZRS

Pipe/profile Shredder

- No pre cutting of pipe lengths necessary
- Process pipes up to 1200 mm diameter
- Automatic control giving virtually risk free operation
- Elimination of amperage peaks
- High throughput rates
- Allows feeding of bundles or nested pipes and profiles
- Large diameter rotor (up to 1500 mm)



The shredders use concave ground square knives, producing high quality output. The cutters can be turned after a side is worn out.



The ZRS shredders use very large diameter flat E-style rotors. The knives are fixed in special knife holders fitted in machined pockets.



The ZRS shredders use very large diameter flat E-style rotors. The knives are fixed in special knife holders fitted in machined pockets.

General Description

The ZRS shredder is the world's first single shaft shredder capable of handling large diameter pipes (up to 1200mm dia) without the need for pre cutting. Since their introduction they have become the per se standard for pipe shredding and are used world-wide by leading pipe manufacturers. More than 200 installations demonstrate our technological leadership in this market and our continuing innovation is based on market demands and customer feedback. Dependent on pipe diameter, the ZRS rotor diameters and widths range from 800mm up to 1500 mm. The standard hopper accepts pipe lengths of up to 6 m. The combination of advanced controls, low rotor speed and smooth hydraulics create a reliable and easy to use system.

Applications

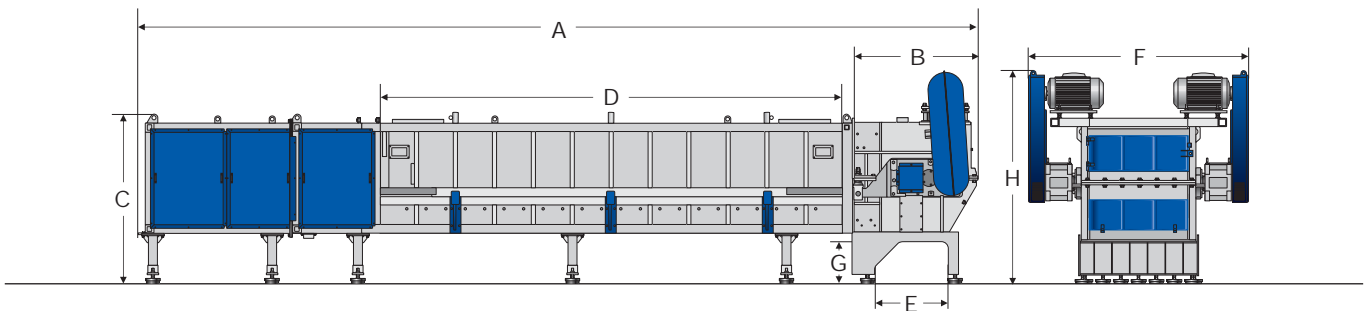
The main focus of the ZRS shredders is the shredding of large diameter pipes or bundles of smaller pipes and profiles made from HDPE, PP and PVC. The machines can also be used for recycling of other plastic materials such as large lumps, stacked wheelie bins and pallets etc. In combination with other ZERMA size reduction equipment such as granulators and pulverizers we are able to provide a complete turn-key recycling solution.



The Home of Size Reduction

ZRS

Pipe/profile Shredder



Technical Specifications and Dimensions

Model

Rotor diameter (mm)
Rotor width (mm)
Rotor speed (rpm)
Drive capacity (kW)
Rotor knives (pcs)
Stator blades (rows)
Ram feeder drive (kW)
Feeding trough volume (m³)
Biggest pipe (mm)
Weight approx (kg)

| | 800 | 1000 | 1500 |
|---|-------------|-------------|--------------|
| Rotor diameter (mm) | 852 | 1033 | 1482 |
| Rotor width (mm) | 850 | 1130 | 1410 |
| Rotor speed (rpm) | 40 | 36 | 23 |
| Drive capacity (kW) | 2 x 37 | 2 x 45 | 2 x 55 |
| Rotor knives (pcs) | 60 | 81 | 136 |
| Stator blades (rows) | 1 or 2 | 1 or 2 | 1 or 2 |
| Ram feeder drive (kW) | 11 | 15 | 15 |
| Feeding trough volume (m ³) | 2.7 | 6.7 | 12.6 |
| Biggest pipe (mm) | 3500 x Ø630 | 6500 x Ø850 | 6500 x Ø1200 |
| Weight approx (kg) | 11000 | 16000 | 25000 |

| | 800 | 1000 | 1500 |
|--------|------|-------|-------|
| A (mm) | 7695 | 11940 | 12180 |
| B (mm) | 1420 | 1580 | 1820 |
| C (mm) | 1830 | 1965 | 2320 |
| D (mm) | 3860 | 6720 | 6720 |
| E (mm) | 975 | 1080 | 1080 |
| F (mm) | 2545 | 2965 | 3250 |
| G (mm) | 590 | 590 | 590 |
| H (mm) | 2565 | 2660 | 3160 |

ZERMA MACHINERY & RECYCLING TECHNOLOGY CO. LTD.

5 Xinjie Rd Xinqiao Township Ind. Park

Songjiang · Shanghai · China

Phone : +86 21 57645573 · info@zerma.com