



Atomscope TR9030 Gen2 Portable X-Ray Unit



Features

The DR ready Atomscope TR9030 Gen2 is the most advanced lightweight portable x-ray unit available. With a total weight of just 6.4 kgs and an output of 90kV 30mA, the Atomscope TR9030 Gen2 Dual kV Portable X-Ray Unit shows the future for portable X-Ray systems.

- kV range from 40 to 90 in 2kV steps
- Maximum high frequency mA of 30mA
- Dual line lasers showing distance and beam centre
- Five exposure technique memory storage switches
- Unique low voltage mode for low input supply
- Switchable audible exposure warning
- Powered by 13A domestic supply
- 5 year warranty





ATOMSCOPE TR9030 GEN2 PORTABLE X-RAY UNIT

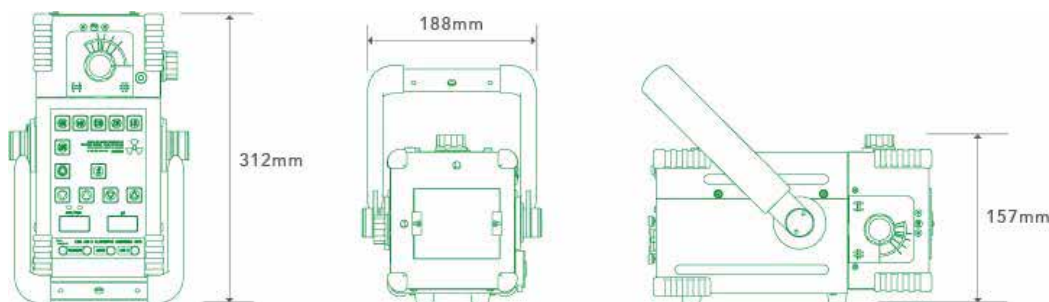
High spec, lightweight, durable portable x-ray unit. Ideal for veterinary use, especially the equine market.

The TR9030V is the high spec version of the HF8020. The maximum 90kV facilitates radiography of most equine body parts. The highly durable protective casing and low input voltage operation are unique features of this model. The unit has 5 memory stations for storing x-ray exposure techniques. It is compatible with all major DR digital systems. A dual laser pointer in the collimator centers to align your SID. The compact size makes it easy to transport and it is suitable for the equine and small animal markets.

TR9030 Gen2	
Max. Output Power	1.8 kW
mA Range	(0.02 - 0.10 sec.) 30-15 mA @ 40-90 kV (0.11 - 2.00 sec.) 18-9 mA @ 40-90 kV
kV Range	40 kV - 90 kV (2 kV step)
Timer	0.02 - 2.0 sec.
AC Input	230 V (50/60 Hz)
Focal Spot	0.8 mm
Total Filtration	2.8 mm Al equivalent
Memory storage	5 preset
Laser Pointer	Dual laser
Size	188 x 157 x 312 mm (WxHxL)
Weight	6.4 kgs



*Specifications are subject to change without notice.



- 330011G2ATOMSCOPE TR9030 Gen2 Portable X-Ray Unit
- 330031X-Ray Handswitch with Cable (Included)
- 330026X-Ray Collimator Globe (Included)

For further information please call:

SOUTHERN OFFICE:

PO Box 4438,
17-19 Horne St,
Hoppers Crossing, VIC, 3029

Phone: 03 9360 9700
Fax: 03 9360 9994
Toll Free: 1300 785 405
Email: info@dlc.com.au

NORTHERN OFFICE:

PO Box 833,
Unit 6/1 Lear-Jet Dr,
Caboolture, QLD, 4510

Phone: 07 5428 3666
Fax: 07 5428 3777
Toll Free: 1300 785 405
Email: qld@dlc.com.au

Ver.1 2014.03

