



healthtec

Supporting you

1300 362 923

www.healthtec.com.au

EXAMINATION RANGE

GP Universal Examination Table – Three Section

Suitable for a wide range of specialties including general practice, natural therapies, massage, beauty treatments or any multi-function practice.

Three section couch with each end section able to manually adjust from flat to 70° ideal for clinics with limited space providing a backrest for left and right examinations and procedures.



FEATURES

Electric height adjustment with footswitch

X-Frame Lift action minimises pinch and crush points

Table can be moved similar to moving a wheelbarrow

Durable powder coated rust resistant frame

High quality anti-microbial vinyl & CFC free foam

Australian designed & manufactured

SPECIFICATIONS

WIDTH	710mm
LENGTH	1930mm
FOAM	50mm
VINYL	PVC (tested to AS1530.3)
HEIGHT RANGE	540mm to 860mm
HEIGHT SPEED	Full height within 16 seconds
CONTROLLER	Footswitch
BASE	SC X-Frame * <small>*table can be moved similar to moving wheelbarrow</small>
LIFT CAPACITY	250kg (moving)
SAFE WORKING LOAD	400kg (stationary)
WARRANTY	5 year Electrical Lifetime Structural (parts only)



The Healthtec Warranty

Healthtec offers a lifetime warranty on all our manufactured tables and a five year warranty on motors and foot switches from date of purchase. Original suppliers warranty applies.

ARTG 132667

© August 2018





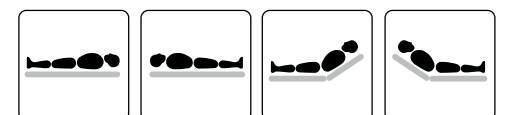
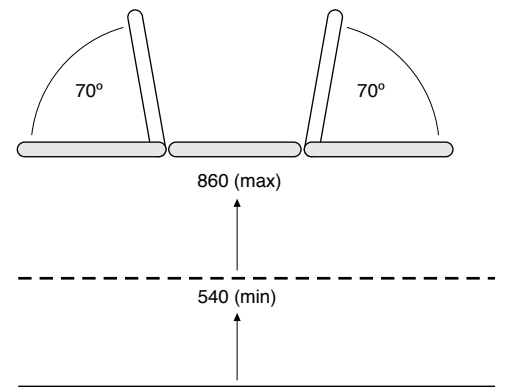
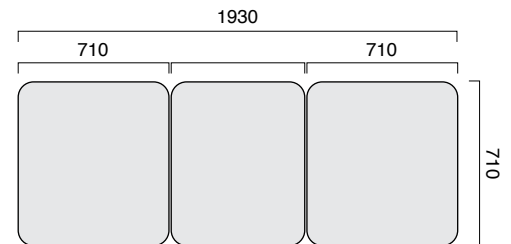
Supporting you

www.healthtec.com.au

PRICE SHEET

GP Universal Examination Table – Three Section

	CODE	QTY
Product Description		
SC GP Universal Examination Table (710 wide) - Three Section (TiMotion)	56221T	
Foam & Vinyl Options		
75mm Comfort Foam	6005	
Non-Stock Vinyl Option	6018	
*please refer to our colour chart for vinyl colour options		
Nose Hole Option		
Nose Hole in Backrest	6011	
Nose Hole Plug	6010	
Armrest Option		
Procedure Arm	5102	
Gynae Option		
Gynae Leg Supports	5114	
Table Protection		
Paper Towel Roll Holder	6017	
Extended Warranty		
10 Years on Electrics	7800	
Freight		
Freight charges are not included in our prices. Please contact your Healthtec representative for freight costs and options.		
Shipping Dimensions	2050mm x 850mm x 650mm	
Shipping Weight	80kg (approximately)	



FRECALL
1300 362 923
 info@healthtec.com.au



Healthtec Pty Ltd ABN 94 224 518 379 ARTG 132667
 © August 2018

Disclaimer: Due to our policy of constant product improvement, specifications may change without notice. Check with us for the latest specifications and pricing.