

NARROW EURO PALLET JACK- 2.5T

520MM WIDE

These industrial 2500KG Euro pallet jacks are designed for use with unusual size pallets and are built to survive rigorous everyday use.

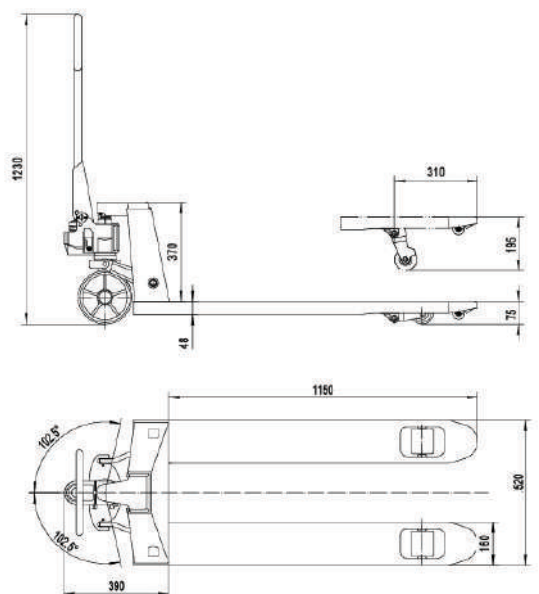
Features

- Specially designed to lift and transport the widest variety of loads in stores, warehouses and construction sites.
- Strong torsion-resistant steel construction.
- Lead-in/Lead-out rollers under the fork tips enabling pallets to be entered with ease.
- No routine maintenance required on the hydraulic unit and bearings.
- Seals made in Germany, which prolong the working time of the hydraulic unit.
- Comes with standard 6204 bearings.
- For use with unusual size pallets.
- Powder coated safety yellow for hi visibility and extra protection from wear and tear.
- Pressure relief valve/overload valve so the unit cannot be overloaded for OH&S purposes.



Specifications

Model		MPT25520
Capacity	(kg)	2500
Min Fork Height	(mm)	75
Max Fork Height	(mm)	190
Fork Width	(mm)	160
Fork Overall Width	(mm)	520
Fork Length	(mm)	1150
Overall Size L x W x H	(mm)	1540x520x1230
Load Roller (dia x width)	(mm)	80x92
Steering Wheel (dia x width)	(mm)	180x50
Net Weight	(kg)	70



Visit www.mitaco.com.au for more photos and details

Mitaco has national sales and distribution capabilities, our sales office and warehouse is located in Brisbane. Large inventory holdings enable fast-track dispatch of stock orders. This combined with an easy to use online ordering system makes the delivery of stocked products simple, fast and reliable.